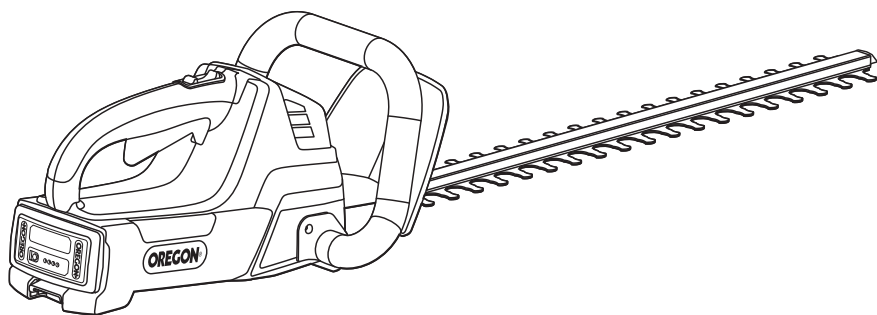




Cordless Tool System



**ORIGINAL INSTRUCTION MANUAL
HEDGE TRIMMER MODEL HT250**

**MANUEL D'INSTRUCTIONS ORIGINAL
TAILLE-HAIE MODÈLE HT250**

**MANUAL DE INSTRUCCIONES ORIGINAL
CORTASETOS MODELO HT250**



ENGLISH 2

⚠ WARNING: READ AND UNDERSTAND ALL SAFETY WARNINGS AND ALL INSTRUCTIONS. FAILURE TO FOLLOW THE WARNINGS AND INSTRUCTIONS MAY RESULT IN ELECTRIC SHOCK, FIRE AND/OR SERIOUS INJURY. SAVE ALL WARNINGS AND INSTRUCTIONS FOR FUTURE REFERENCE.

FRANÇAIS 24

⚠ AVERTISSEMENT: VEUILLEZ LIRE ET COMPRENDRE TOUS LES AVERTISSEMENTS DE SÉCURITÉ ET TOUTES LES INSTRUCTIONS. LE NON-RESPECT DES AVERTISSEMENTS DE SÉCURITÉ ET DES INSTRUCTIONS PEUT ENTRAÎNER UNE DÉCHARGE ÉLECTRIQUE, UN INCENDIE ET/OU DES BLESSURES GRAVES. CONSERVEZ L'ENSEMBLE DES AVERTISSEMENTS ET INSTRUCTIONS POUR RÉFÉRENCE ULTÉRIEURE.
















ESPAÑOL 47

⚠ ADVERTENCIA: LEA Y COMPRENDA TODAS LAS ADVERTENCIAS DE SEGURIDAD Y TODAS LAS INSTRUCCIONES. NO SEGUIR LAS ADVERTENCIAS Y LAS INSTRUCCIONES PUEDE PROVOCAR CHOQUES ELÉCTRICOS, INCENDIOS Y/O LESIONES GRAVES. CONSERVE TODAS LAS ADVERTENCIAS E INSTRUCCIONES COMO REFERENCIA PARA EL FUTURO.

TABLE OF CONTENTS

SYMBOLS AND LABELS	3
SAFETY RULES	4
GENERAL POWER TOOL SAFETY WARNINGS.	4
WORK AREA SAFETY	4
ELECTRICAL SAFETY	4
PERSONAL SAFETY	5
POWER TOOL USE AND CARE	6
BATTERY TOOL USE AND CARE	6
SERVICE	6
HEDGE TRIMMER SAFETY WARNINGS	6
STORAGE, TRANSPORTING, AND DISPOSAL	7
BATTERY SAFETY.	8
CHARGER SAFETY	9
PRODUCT IDENTIFICATION	10
SPECIFICATIONS AND COMPONENTS	11
HEDGE TRIMMER NAMES AND TERMS	12
OPERATING THE HEDGE TRIMMER.	13
UNPACKING	13
BATTERY PACK AND CHARGER	13
GENERAL OPERATION	15
CUTTING HEDGES.	17
MAINTENANCE AND CLEANING	19
HEDGE TRIMMER.	19
BATTERY PACK	20
CHARGER.	20
TROUBLESHOOTING	21
WARRANTY AND SERVICE	23

SYMBOLS AND LABELS

SYMBOL	NAME	EXPLANATION
	CLASS II CONSTRUCTION	DESIGNATED DOUBLE INSULATED CONSTRUCTION TOOLS
	SAFETY ALERT SYMBOL	INDICATES THAT THE TEXT THAT FOLLOWS EXPLAINS A DANGER, WARNING, OR CAUTION.
	READ INSTRUCTIONS	THE ORIGINAL INSTRUCTION MANUAL CONTAINS IMPORTANT SAFETY AND OPERATING INFORMATION. READ AND FOLLOW THE INSTRUCTIONS CAREFULLY.
	WEAR EYE PROTECTION	WEAR EYE PROTECTION WHEN OPERATING THE HEDGE TRIMMER.
	WEAR HAND PROTECTION	WEAR GLOVES WHEN OPERATING THE HEDGE TRIMMER AND WHEN HANDLING THE CUTTING BLADES.
	SOUND POWER	SOUND POWER LEVEL IS 74 DB.
	TWO-HANDED HOLD	HOLD HEDGE TRIMMER WITH BOTH HANDS.
	ONE-HANDED HOLD	DO NOT HOLD HEDGE TRIMMER WITH ONE HAND.
	DO NOT INCINERATE	DO NOT DISPOSE IN FLAMES.
	DO NOT DISPOSE	DO NOT THROW IN THE HOUSEHOLD WASTE. TAKE TO AN AUTHORIZED RECYCLER.
	DO NOT EXPOSE TO RAIN	DO NOT OPERATE THE CHARGER IN WET CONDITIONS.
	INDOOR USE ONLY	INTENDED FOR INDOOR USE ONLY.
	INSPECT POWER SUPPLY	INSPECT THE CHARGER POWER SUPPLY AND CORD REGULARLY FOR DAMAGE.
	OPERATING TEMPERATURE	ONLY USE THE BATTERY PACK AT A TEMPERATURE BETWEEN 32°F TO 104°F (0°C AND 40°C).
	CUTTING TOOL	CUTTING TOOL. DO NOT TOUCH THE CUTTING BLADES WITHOUT FIRST DEACTIVATING THE HEDGE TRIMMER BY REMOVING THE BATTERY PACK.

INTRODUCTION

This hedge trimmer is designed for regular maintenance and trimming. It is not designed to cut branches greater than 3/4 inch (19 mm) in diameter. Other uses may cause injury and are not allowed.

SAFETY RULES

GENERAL POWER TOOL SAFETY WARNINGS

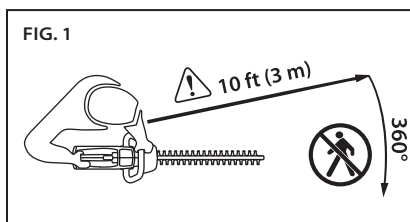
⚠ WARNING: READ AND UNDERSTAND ALL SAFETY WARNINGS AND ALL INSTRUCTIONS. FAILURE TO FOLLOW THE WARNINGS AND INSTRUCTIONS MAY RESULT IN ELECTRIC SHOCK, FIRE AND/OR SERIOUS INJURY.



SAVE ALL WARNINGS AND INSTRUCTIONS FOR FUTURE REFERENCE. THE TERM "POWER TOOL" IN THE WARNINGS REFERS TO YOUR MAINS-OPERATED (CORDED) POWER TOOL OR BATTERY OPERATED (CORDLESS) POWER TOOL.

WORK AREA SAFETY

- Keep work area clean and well lit. *Cluttered or dark areas invite accidents.*
- Do not operate power tools in explosive atmospheres, such as in the presence of flammable liquids, gases or dust. *Power tools create sparks which may ignite the dust or fumes.*
- Keep children and bystanders away while operating a power tool (Fig. 1). *Distractions can cause you to lose control.*



⚠ CAUTION: ESTABLISH A BYSTANDER SAFETY ZONE OF 10 FT (3 M) PRIOR TO OPERATION OF THIS EQUIPMENT. *Bystander safety zone is a 10 ft (3 m) circle around the operator that must remain free from bystanders, children, and pets.*

ELECTRICAL SAFETY

- Power tool plugs must match the outlet. Never modify the plug in any way. Do not use any adapter plugs with earthed (grounded) power tools. *Unmodified plugs and matching outlets will reduce risk of electric shock.*
- Avoid body contact with earthed or grounded surfaces, such as pipes, radiators, ranges and refrigerators. *There is an increased risk of electric shock if your body is earthed or grounded.*
- Do not expose power tools to rain or wet conditions. *Water entering a power tool will increase the risk of electric shock.*
- Do not abuse the cord. Never use the cord for carrying, pulling or unplugging the power tool. Keep cord away from heat, oil, sharp edges or moving parts. *Damaged or entangled cords increase the risk of electric shock.*
- When operating a power tool outdoors, use an extension cord suitable for outdoor use. *Use of a cord suitable for outdoor use reduces the risk of electric shock.*

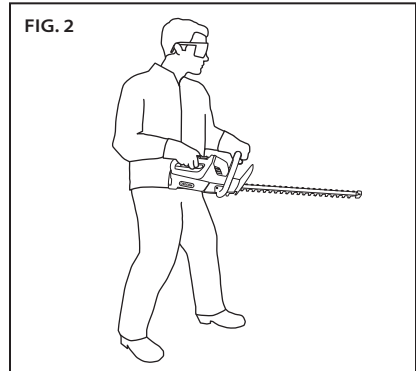
- If operating a power tool in a damp location is unavoidable, use a residual current device (RCD) protected supply or ground fault circuit interrupter (GFCI). Use of a RCD (GFCI) reduces the risk of electric shock.
- Remove plug from the mains immediately if the cable is damaged or cut.

PERSONAL SAFETY



- Stay alert, watch what you are doing and use common sense when operating a power tool. Do not use a power tool while you are tired or under the influence of drugs, alcohol or medication. A moment of inattention while operating power tools may result in serious personal injury.
- Use personal protective equipment. Always wear eye protection. Protective equipment such as dust mask, non-skid safety shoes, hard hat, or hearing protection used for appropriate conditions will reduce personal injuries.
- Prevent unintentional starting. Ensure the switch is in the off-position before connecting to power source and/or battery pack, picking up or carrying the tool. Carrying power tools with your finger on the switch or energizing power tools that have the switch on invites accidents.
- Remove any adjusting key or wrench before turning the power tool on. A wrench or a key left attached to a rotating part of the power tool may result in personal injury.

- Do not overreach. Keep proper footing and balance at all times (Fig. 2). This enables better control of the power tool in unexpected situations.



- Dress properly. Do not wear loose clothing or jewelry. Keep your hair, clothing and gloves away from moving parts. Loose clothes, jewelry or long hair can be caught in moving parts.
- If devices are provided for the connection of dust extraction and collection facilities, ensure these are connected and properly used. Use of dust collection can reduce dust-related hazards.
- Prolonged use of power tools has been reported to cause vascular, muscular, or neurological disorders (such as vibration white finger or Raynaud's syndrome). To reduce the risk of injury, follow these instructions:
 - Wear gloves and keep hands and body warm.
 - Maintain a firm grip on the hedge trimmer, but do not use prolonged, excessive pressure.
 - Take frequent breaks.

The vibration in normal use can differ from the stated values depending on the material being cut, maintenance of the cutting system, and other factors.

POWER TOOL USE AND CARE

- **Do not force the power tool. Use the correct power tool for your application.**
The correct power tool will do the job better and safer at the rate for which it was designed.
- **Do not use the power tool if the switch does not turn it on and off.**
Any power tool that cannot be controlled with the switch is dangerous and must be repaired.
- **Disconnect the plug from the power source and/or the battery pack from the power tool before making any adjustments, changing accessories, or storing power tools.**
Such preventive safety measures reduce the risk of starting the power tool accidentally.



- **Store idle power tools out of the reach of children and do not allow persons unfamiliar with the power tool or these instructions to operate the power tool.**
Power tools are dangerous in the hands of untrained users.
- **Maintain power tools. Check for misalignment or binding of moving parts, breakage of parts and any other condition that may affect the power tool's operation. If damaged, have the power tool repaired before use.**
Many accidents are caused by poorly maintained power tools.
- **Keep cutting tools sharp and clean.**
Properly maintained cutting tools with sharp cutting edges are less likely to bind and are easier to control.
- **Use the power tool, accessories and tool bits etc. in accordance with these instructions, taking into account the working conditions and the work to be performed. Use of the power tool for operations different from those intended could result in a hazardous situation.**

BATTERY TOOL USE AND CARE

- **Recharge only with the charger specified by the manufacturer.**
A charger that is suitable for one type of battery pack may create a risk of fire when used with another battery pack.
- **Use power tools only with specifically designated battery packs.**
Use of any other battery packs may create a risk of injury and fire.
- **When battery pack is not in use, keep it away from other metal objects, like paper clips, coins, keys, nails, screws or other small metal objects, that can make a connection from one terminal to another. Shorting the battery terminals together may cause burns or a fire.**
- **Under abusive conditions, liquid may be ejected from the battery; avoid contact.**
If contact accidentally occurs, flush with water. If liquid contacts eyes, additionally seek medical help. Liquid ejected from the battery may cause irritation or burns.

SERVICE

Have your power tool serviced by a qualified repair person using only identical replacement parts.

This will ensure that the safety of the power tool is maintained.

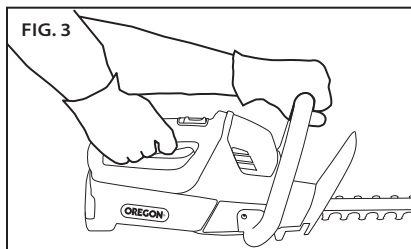
HEDGE TRIMMER SAFETY WARNINGS



⚠ DANGER: KEEP HANDS AWAY FROM BLADE. CONTACT WITH BLADE WILL RESULT IN SERIOUS PERSONAL INJURY.

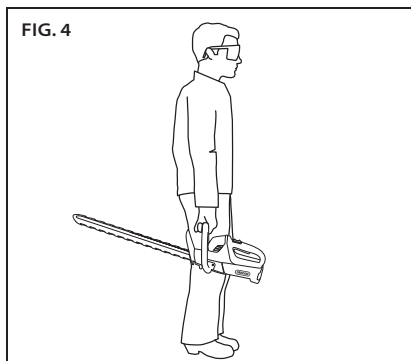
⚠ WARNING: ONLY USE WITH HANDLE AND HAND GUARD PROPERLY ASSEMBLED TO HEDGE TRIMMER. THE USE OF THE HEDGE TRIMMER WITHOUT THE PROPER GUARD OR HANDLE PROVIDED MAY RESULT IN SERIOUS PERSONAL INJURY.

- Use both hands when operating the hedge trimmer. Using one hand could cause loss of control and result in serious personal injury (Fig. 3).



- Keep all parts of the body away from the cutter blade. Do not remove cut material or hold material to be cut when blades are moving. Make sure the switch is off when clearing jammed material. Blades coast after turn off. *A moment of inattention while operating the hedge trimmer may result in serious personal injury.*

- Carry the hedge trimmer by the handle with the cutter blade stopped (Fig. 4). *When transporting or storing the hedge trimmer, always attach the cutting device cover. Proper handling of the hedge trimmer will reduce possible personal injury from the cutter blades.*



- Hold the power tool by insulated gripping surfaces only, because the cutter blade may contact hidden wiring or its own cord. *Cutter blades contacting a "live" wire may make exposed metal parts of the power tool "live" and could give the operator an electric shock.*
- The hedge trimmer has no user serviceable parts. *Blade replacement, service, and repair work requires special training. See "Service and support information" for contact information.*

STORAGE, TRANSPORTING, AND DISPOSAL

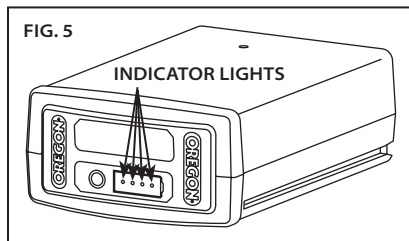
STORING THE HEDGE TRIMMER

- Apply lubricant to the cutting blades. See "Maintenance and Cleaning" for more information.
- Remove the battery pack from the hedge trimmer.
- Clean the hedge trimmer thoroughly.
- Install the blade cover.
- Store in a dry place.
- Keep out of reach of children or pets.

STORING THE BATTERY PACK

When storing the battery pack longer than nine months, follow these guidelines:

- Remove the battery pack from the hedge trimmer or charger.
- Store in a cool, dry place.
- Keep out of reach of children or pets.
- To prolong battery life, never store battery pack in a completely discharged condition. (Fig. 5).



- Store at a temperature between -4°F to 86°F (-20°C and 30°C).



STORING THE CHARGER

- Remove battery pack from the charger.
- Disconnect charger from power source.
- Store in a dry place.
- Keep out of reach of children or pets.

See "Maintenance and Cleaning" for more information.

TRANSPORTING THE HEDGE TRIMMER

Prepare the hedge trimmer as described in "Storing the hedge trimmer" before shipping.

TRANSPORTING THE BATTERY PACK

Observe national regulations when shipping lithium ion batteries. Special package labeling may be required.

BATTERY PACK DISPOSAL

Do not dispose of battery pack in household garbage or incinerate. Local waste management and recycling agencies have information on proper recycling or disposal instructions. Battery packs can be collected in the United States or Canada through Rechargeable Battery Recycling Corporation. OREGON® has already paid the costs involved to recycle battery packs. Return end of life battery packs to participating retailer or recycling center. Return locations and more information can be found at www.call2recycle.org or 1-800-8BATTERY.



BATTERY SAFETY

⚠ DANGER: FAILURE TO FOLLOW THESE SAFETY RULES CAN CAUSE THE BATTERY PACK TO LEAK HAZARDOUS CHEMICALS, OVERHEAT, EMIT SMOKE, BURST, FLARE, EXPLODE, AND/OR IGNITE.

⚠ CAUTION: DO NOT DISPOSE OF THE BATTERY PACK IN THE HOUSEHOLD WASTE OR FIRE. LITHIUM ION BATTERY PACKS SHOULD BE RECYCLED BY A LOCAL AUTHORIZED RECYCLER.

⚠ CAUTION: DO NOT EXPOSE BATTERY PACK TO EXCESSIVE HEAT, SUCH AS THE INTERIOR OF A VEHICLE IN HOT WEATHER. SUCH EXPOSURE CAN CAUSE A LOSS IN PERFORMANCE AND/OR SERVICE LIFE. DO NOT ATTEMPT TO RECHARGE A NON-RECHARGEABLE BATTERY PACK.

- Do not disassemble or modify the battery pack. This can damage safety features.
- Do not connect the positive (+) and negative (-) terminals with metal objects or store the battery pack with metal objects such as coins or screws. This can cause short-circuiting and generate enough heat to cause burns.
- Do not incinerate the battery pack or expose to excessive heat. This can melt insulation or damage safety features.
- Do not use, charge, or store near heat higher than 176°F (80°C). This can cause overheating and internal short-circuiting.
- Do not expose to extremely wet conditions. This can damage safety features, cause extremely high current and voltage charging, and lead to abnormal chemical reactions.

- Use only the charger specifically designed for the battery pack, and follow the safety precautions described in “Charger Safety”. Using another charger can damage safety features, cause extremely high current and voltage charging, and lead to abnormal chemical reactions.
- Do not use OREGON® branded battery packs in non-OREGON® branded tools.
- Do not strike, pierce, or throw the battery pack, and do not use a damaged or deformed battery pack.
- If recharging fails, do not attempt to recharge.
- If the battery pack gives off an odor, generates heat, or is discolored, deformed, or abnormal in any way during use, recharging, or storage, immediately remove from the hedge trimmer or charger.
- Any liquid leaking from the battery is corrosive, can damage eyes and skin, and may be toxic if swallowed.

CHARGER SAFETY

IMPORTANT SAFETY INSTRUCTIONS

⚠ CAUTION: THIS APPLIANCE IS NOT INTENDED FOR USE BY PERSONS (INCLUDING CHILDREN) WITH REDUCED PHYSICAL, SENSORY OR MENTAL CAPABILITIES, OR LACK OF KNOWLEDGE, UNLESS THEY HAVE BEEN GIVEN SUPERVISION OR INSTRUCTION BY A PERSON RESPONSIBLE FOR THEIR SAFETY. CHILDREN SHOULD BE SUPERVISED TO ENSURE THAT THEY DO NOT PLAY WITH THE APPLIANCES.

⚠ WARNING: RISK OF ELECTRIC SHOCK. WHEN USED OUTDOORS, INSTALL ONLY TO A COVERED CLASS A GFCI PROTECTED RECEPTACLE THAT IS WEATHERPROOF WITH THE POWER UNIT CONNECTED TO THE RECEPTACLE. IF ONE IS NOT PROVIDED, CONTACT A QUALIFIED ELECTRICIAN FOR PROPER INSTALLATION. ENSURE THAT THE POWER UNIT AND CORD DO NOT INTERFERE WITH COMPLETELY CLOSING THE RECEPTACLE COVER.

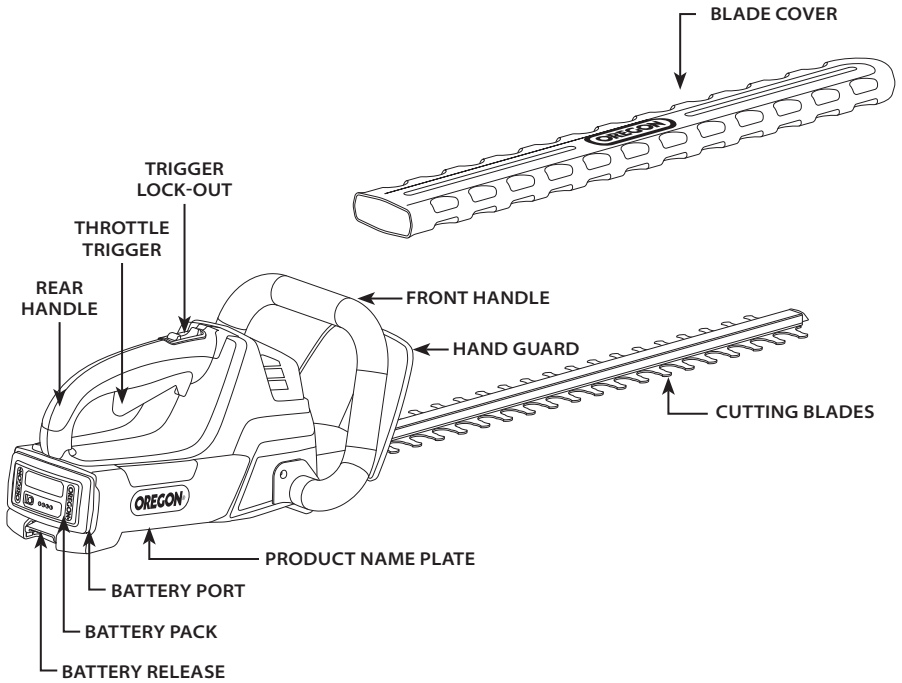
⚠ CAUTION: USE THIS CHARGER ONLY WITH THE SUPPLIED POWER CORD, MAKING SURE THAT THE INPUT PLUG CORRECTLY MATES TO THE OUTPUT RECEPTACLE.

When using electrical products, basic precautions should always be practiced including the following:

- **Read and follow all safety instructions before use.** *Read and follow all instructions that are on the product or provided with the product.*
- **Save these instructions.**
- **Do not use an extension cord.**
- **Do not abuse the cord.** Never use the cord for carrying, pulling or unplugging the power tool. Keep cord away from heat, oil, sharp edges or moving parts. *Damaged or entangled cords increase the risk of electric shock.*
- **Do not expose the charger to rain.** *For indoor use only.*
- **Do not use within 10 feet (3 m) of a pool.**
- **Do not use in a bathroom.**

PRODUCT IDENTIFICATION

KNOW THE HEDGE TRIMMER



NOTE: See "Unpacking" for a list of included items.

SPECIFICATIONS AND COMPONENTS

REPLACEMENT COMPONENTS		PART NUMBER
BATTERY PACK, MODEL B500S		558818
BATTERY PACK, MODEL B400E		545938
CHARGER WITH CORD, MODEL C600		540580
CHARGER WITH CORD, MODEL C750		548185
CHARGER, MODEL C600		
INPUT	100-240V~ 50-60Hz 60W	
INPUT (U.S. AND CANADA ONLY)	120V~ 60Hz 60W	
OUTPUT	41.5V \approx 1.25A	
POWER CORD	US/CAN P/N: 546636 EU P/N: 547383 UK P/N: 547384	
BATTERY PACK, MODEL B400E		
TYPE	LITHIUM ION	
VOLTAGE, NOMINAL	+37 VDC	
OPERATING TEMPERATURES	32°F TO 104°F (0°C TO 40°C)	
MODEL	CAPACITY, NOMINAL	CHARGE TIME (APPROX.)
B500S	1.25 Ah / 47 Wh	60 MINUTES
B400E	2.40 Ah / 89 Wh	120 MINUTES
HEDGE TRIMMER		
BLADE LENGTH	24 in (600 mm)	
BLADE TYPE	DUAL RECIPROCATING	
MAX BLADE CUTTING SPEED	2750 STROKES PER MINUTE	
WEIGHT WITH B500S	8.8 lb (4 kg)	
WEIGHT WITH B400E	9.8 lb (4.4 kg)	
SOUND POWER LEVEL	74 dB L _{WA} (K, 0.18 dB)	
VIBRATION	1.16 m/s ² (K, 0.26 m/s ²)	

HEDGE TRIMMER NAMES AND TERMS

Blade bind: A condition where the cutting blades will not move because of material lodged between the moving and stationary parts of the cutting blades.

Bystander safety zone: A 10 ft (3 m) circle around the operator that must remain free from bystanders, children, and pets.

Cutting blades: The series of sharpened surfaces protruding from the front of the hedge trimmer that move back and forth to cut hedges.

Cutting season: The ideal time to trim hedges varies by plant type, but it is generally a good practice to trim during periods of slow growth, after blooming is complete. Consult with a local plant nursery for tips on trimming specific plants.

Cutting speed: The hedge trimmer has a variable cutting speed. Press the throttle trigger more firmly for faster cutting speed. To get the most cutting time out of each charge, use only the minimum cutting speed necessary to cut the material.

Front handle: The support handle located at or toward the front of the hedge trimmer.

Hand guard: A structural barrier between the front handle of a hedge trimmer and the cutting blades.

New growth: The most recent growth on a plant. It is generally lighter in color, less woody, and more flexible than the rest of the plant.

Rear handle: The support handle, located at or toward the rear of the hedge trimmer, where the throttle trigger is located.

Throttle trigger: A device that controls the speed of the cutting blades.

Trigger lock-out: A movable stop that prevents the unintentional activation of the hedge trimmer until manually actuated.

OPERATING THE HEDGE TRIMMER

UNPACKING

WHAT'S IN THE BOX?

The hedge trimmer comes completely assembled. These items ship with the hedge trimmer:

- Hedge trimmer
- Blade cover
- Instruction manual
- Charger and power cord (if so equipped)
- Battery (if so equipped)

After removing the hedge trimmer from the box, inspect it carefully to ensure no damage has occurred during shipping, and that no parts are missing. If any parts are damaged or missing, do not use the hedge trimmer. Contact OREGON® Cordless Tool System to obtain replacement parts at 888.313.8665.

BATTERY PACK AND CHARGER

⚠ WARNING: DO NOT CHARGE THE BATTERY PACK IN THE RAIN.

BATTERY PACK LED CHARGE-LEVEL INDICATOR

The lithium ion battery pack is equipped with an LED charge-level indicator. To test the charge level of the battery pack, press the indicator button on the battery pack's face (Fig. 6).

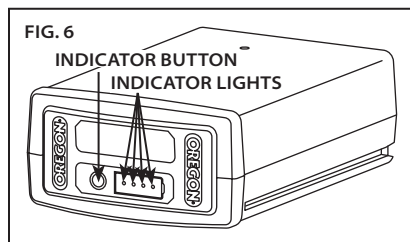
No lights: recharge.

One steady green light:
less than 25% charged.
Charge battery pack before use.

Two steady green lights:
26–50% charged.

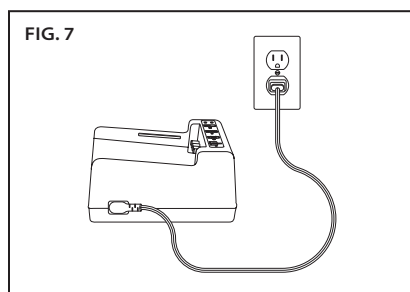
Three steady green lights:
51–75% charged.

Four steady green lights:
76–100% charged.



CONNECTING THE CHARGER

Connect the charger cord to the charger and to the proper electrical outlet (Fig. 7).



Only use the cord set that was supplied with the charger. At first use, verify that the plug type matches the receptacle.

CHARGER LED CHARGE-STATE INDICATOR

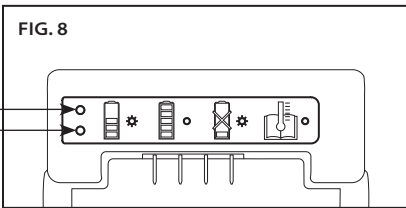
The battery charger is equipped with an LED charge-state indicator that indicates the state of charging as well as conditions that may delay or prevent charging (Fig. 8).

Note: Until a battery pack is inserted, no lights will be visible.

Blinking orange light: a fault condition exists. There are several potential causes. See "Troubleshooting" in this manual.

Steady orange light: the battery pack temperature is beyond the acceptable range (32°F/0°C to 104°F/40°C). Allow the battery pack to reach the acceptable temperature range before charging. The pack may be left on the charger as the temperature adjusts. Charging will begin when the proper temperature is reached.

FIG. 8



Blinking green light: battery pack is charging.

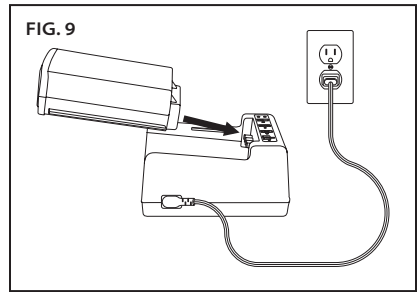
Steady green light: battery pack is READY FOR USE.

CHARGING THE BATTERY PACK

⚠ WARNING: FAILURE TO FOLLOW PROPER CHARGING PROCEDURES MAY CAUSE EXCESSIVE VOLTAGE, EXCESSIVE CURRENT FLOW, LOSS OF CONTROL DURING CHARGING, LEAKAGE OF HAZARDOUS CHEMICALS, HEAT GENERATION, BURSTING, OR FIRE.

With the charger cord connected to the charger and plugged into an electrical outlet, align the grooves in the battery with the rails on the charger and slide the battery pack onto the charger until fully seated (Fig. 9).

FIG. 9

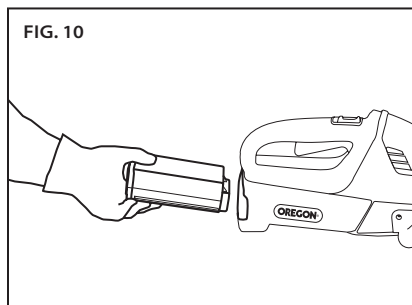


Check the charge-state indicator for charging conditions.

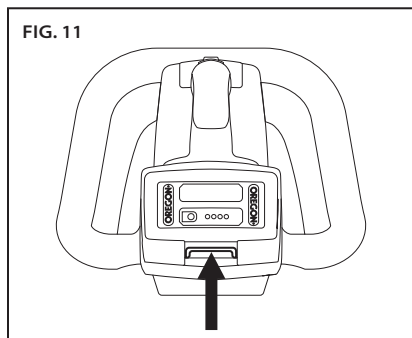
INSERTING AND RELEASING THE BATTERY PACK

Only use the OREGON® brand battery packs specified in these operating instructions.

Align the groove in the battery with the rails inside the battery port. Firmly insert the battery pack into the hedge trimmer's battery port, pressing forward until it clicks as it locks into place (Fig. 10).



To remove the battery pack, lift up on the battery release and remove the pack (Fig. 11).



GENERAL OPERATION



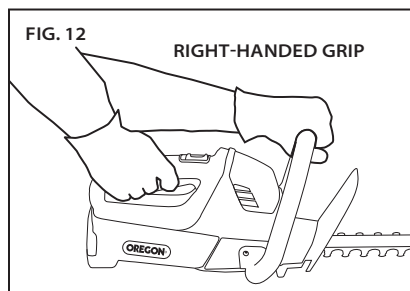
⚠ WARNING: ALWAYS WEAR PROPER GLOVES AND EYE PROTECTION.

OPERATING TEMPERATURE

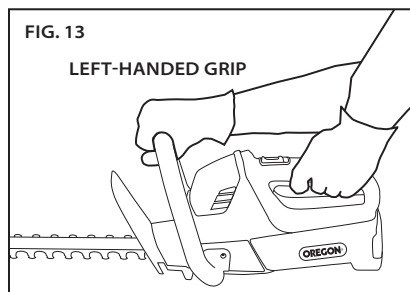
This hedge trimmer is designed to operate within a temperature range of 32°F to 104°F (0°C to 40°C).

GRIP

Always grip the tool with both hands. For right-handed operation, place the hedge trimmer on a firm, flat surface, grasp the front handle with the left hand and the rear handle with the right. Wrap fingers over the top of the front handle with the thumb below (Fig. 12).



For left-handed operation, grasp the front handle with the right hand and the rear handle with the left (Fig. 13).



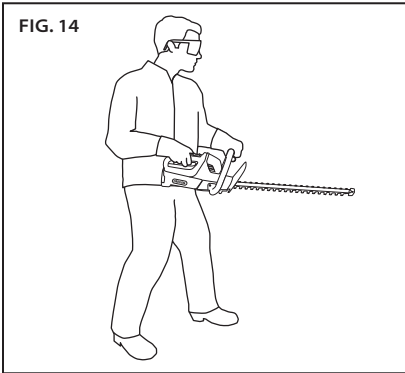
STANCE

Stand with both feet on solid ground, with weight evenly spread between them.

Do not overreach and do not stand on a ladder, stepstool, or any raised position that is not fully secured.



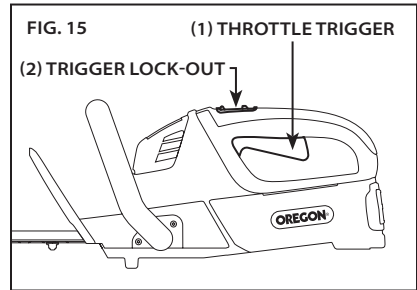
Hold the hedge trimmer as close as possible to the body to maintain control (Fig. 14).

**STOPPING THE HEDGE TRIMMER**

Release the throttle trigger to stop the hedge trimmer.

STARTING THE HEDGE TRIMMER

Grasp the front and rear handles firmly. Squeeze the throttle trigger (1) until the cutting blades move at the desired speed (Fig. 15). The hedge trimmer will not start unless the trigger lock-out (2) is activated. To activate trigger lock-out, pull back with thumb.

**CONTROLLING CUTTING BLADE SPEED**

The throttle trigger controls the speed at which the cutting blades oscillate. Squeeze the throttle trigger more firmly for faster cutting speed.

Use the lowest pressure required to cut the material. This helps to maximize the amount of cutting time per battery charge and reduces the number of charging operations required.

CUTTING HEDGES

WHEN TO CUT

The ideal time to trim hedges varies by plant type, but it is generally a good practice to trim during periods of slow growth, after blooming is complete. Consult with a local plant nursery for tips on trimming specific plants.

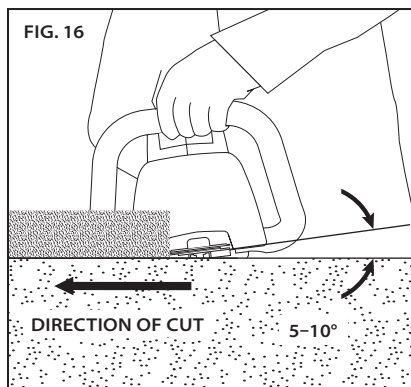
Observe all applicable national and municipal rules and regulations for cutting hedges.

BASIC CUTTING

▲ WARNING: ALWAYS BE SURE OF FOOTING AND HOLD THE HEDGE TRIMMER FIRMLY WITH BOTH HANDS WHILE THE MOTOR IS RUNNING.

Check the hedge for foreign objects prior to cutting to avoid damaging the blades. Remove any objects that may impede cutting.

Assume the proper grip and stance and start the hedge trimmer. Hold the hedge trimmer with the cutting blades angled 5–10° toward the direction of the cut (Fig. 16).



IMPORTANT: THE CUTTING BLADES OCCASIONALLY BIND AND STOP MOVING WHEN MATERIAL BECOMES LODGED IN THE CUTTING BLADES OR IF CUTTING BLADES CONTACT A WIRE OR CHAIN-LINK FENCE. SEE “CORRECTING BLADE BIND” TO LEARN HOW TO FIX THIS.

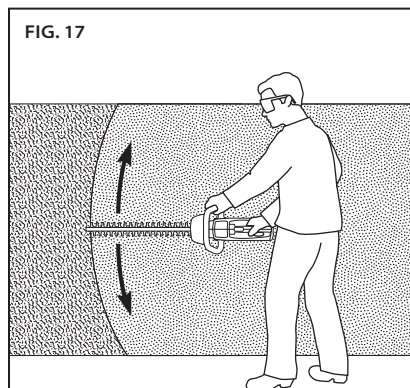
CUTTING SEQUENCE

If the hedge is well-trained, focus on trimming new growth until the hedge is in the desired shape.

Once any large branches are removed, use the hedge trimmer to trim the sides of the hedge to the desired length. Trim the top of hedge last after the sides are complete.

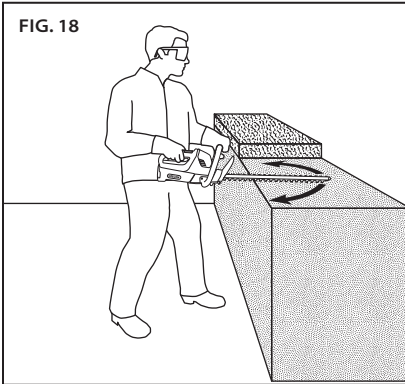
CUTTING VERTICALLY

When cutting the sides of the hedge, start at the bottom of the hedge. Hold the hedge trimmer with the cutting blades angled 5–10° toward the direction of the cut. Move down the line of the hedge, sweeping the hedge trimmer slowly up and down in a wide arc (Fig. 17).



CUTTING HORIZONTALLY

When cutting the top of the hedge, start with the nearest edge. Hold the hedge trimmer with the cutting blades angled 5–10° toward the direction of the cut. Move down the line of the hedge, sweeping the hedge trimmer slowly left and right in a wide arc (Fig. 18).



If the hedge top is too wide to cut in one sweep of the hedge trimmer, do not lean over the hedge to trim the remainder. Instead, make one pass down one side of the hedge, and then cut the remainder from the other side of the hedge.

CORRECTING BLADE BIND

⚠ CAUTION: ALWAYS REMOVE THE BATTERY BEFORE CLEARING CUTTING BLADES TO AVOID ACCIDENTAL ACTIVATION OF THE CUTTING BLADES.

⚠ CAUTION: CUTTING BLADES ARE SHARP. ALWAYS WEAR GLOVES WHEN CLEARING MATERIAL FROM THE CUTTING BLADES.

Sometimes when cutting flexible, “green” branches, clippings can become lodged between the moving parts of the cutting blades and the stationary part. When this happens, the cutting blades may suddenly cease to move. This can also happen if the cutting blades contact material too strong to cut through, such as a chain-link fence. This condition is called blade bind.

Follow these guidelines to safely and effectively clear the material.

- Wear gloves.
- Remove the battery pack from the hedge trimmer. See “Removing the battery pack”.
- Clear the material that is preventing the cutting blades from moving.

MAINTENANCE AND CLEANING

HEDGE TRIMMER

⚠ WARNING: INSPECT THE HEDGE TRIMMER. REGULAR INSPECTION IS THE FIRST STEP TO PROPER MAINTENANCE. FOLLOW THE GUIDELINES BELOW TO MAXIMIZE SAFETY AND SATISFACTION. HAVE ANY DAMAGED OR EXCESSIVELY WORN PARTS REPLACED IMMEDIATELY. FAILURE TO IDENTIFY AND REPLACE DAMAGED OR WORN PARTS CAN CAUSE SERIOUS PERSONAL INJURY.

⚠ WARNING: REMOVE THE BATTERY PACK FROM THE HEDGE TRIMMER BEFORE INSPECTING, CLEANING, OR PERFORMING MAINTENANCE. A BATTERY OPERATED TOOL WITH THE BATTERY PACK INSERTED IS ALWAYS ON AND CAN START ACCIDENTALLY.

⚠ CAUTION: WHEN CLEANING THE HEDGE TRIMMER, DO NOT IMMERSE IN WATER OR OTHER LIQUIDS.

CLEAN THE HEDGE TRIMMER

- Wipe dust, leaves, and clippings from the hedge trimmer.
- Clear the air vents to ensure proper airflow and prevent overheating.
- Wipe the power head with a clean cloth moistened with mild soap and water.
- Never use harsh cleaners or solvents.

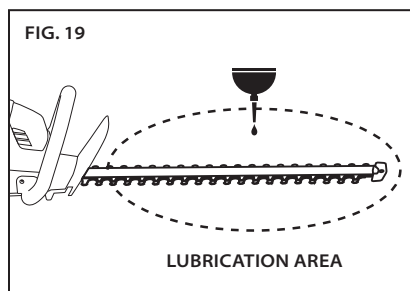
INSPECT THE CUTTING BLADES

Make sure that cutting blades are sharp, have no nicks or blunt edges, and do not hang up or catch when running the hedge trimmer. Periodically file away nicks and burrs on the blades to ensure they move freely. Sharp and free-moving cutting blades cut more easily than dull or sticky ones.

BLADE CARE

When cutting hedges with heavy sap or in dusty environments, buildup of sap and dirt can occasionally cause blades to stick. To prevent this blade stick condition, clean the blades with a light coating of liquid silicon lubricant only on the lubrication area of the cutting blades (Fig. 19) and run the blades briefly to evenly distribute the lubricant.

IMPORTANT: DO NOT ALLOW LUBRICANT TO DRIP INSIDE THE BODY OF THE HEDGE TRIMMER. NEVER USE GREASE SOLVENTS OR AEROSOL WATER DISPLACEMENT PRODUCTS. DO NOT OVER LUBRICATE.



INSPECT THE TIP GUARD

If a tip guard is installed, check to make sure it is not bent or broken. A bent tip guard can prevent free movement of the cutting blades. If the tip guard is bent or broken, have it replaced at an approved service location.

INSTALL THE BLADE COVER

Slip the blade cover over the cutting blades to keep them clean, and to prevent them snagging or cutting people or objects.

INSPECT THE HANDLES

Make sure that both the front and rear handles are clean, dry, and are free of cracks or other damage. Serious personal injury can result if a damaged handle breaks during use.

INSPECT BATTERY PORT

Make sure the battery port is clean, dry, and free of debris. Debris in the battery port can prevent a good electrical connection between the battery pack and the hedge trimmer.

BATTERY PACK

⚠ WARNING: THERE ARE NO USER SERVICEABLE PARTS INSIDE THE BATTERY PACK. DO NOT DISASSEMBLE.

Lithium ion batteries have a predetermined operating life. If the amount of cutting time per charge decreases noticeably, the battery pack is at the end of its useful life and should be replaced.

- Make sure the battery pack, including the contacts, is clean, dry, and has no signs of puncture, impact, or other damage. Broken batteries can cause fires or emit hazardous chemicals.
- Clean dirty contacts with a soft, dry cloth. Dirt or oil can cause a poor electrical connection, resulting in loss of power.

CHARGER

- Unplug the charger from the electrical outlet.
- Clean dirty contacts with a soft, dry cloth.

TROUBLESHOOTING

Use this table to see possible solutions for possible problems with the hedge trimmer. If these suggestions do not solve the problem, see “Service and support information”.

SYMPTOM	POSSIBLE CAUSE	RECOMMENDED ACTIONS
Motor does not run or runs intermittently	Battery discharged	Recharge. See “Charging the battery pack”.
	Trigger lock-out not pressed	Press the trigger lock-out before squeezing the throttle trigger. See “Starting the hedge trimmer”.
	Battery pack not fully inserted	Press the battery pack into the battery port until it clicks into place.
	Battery contacts dirty	Remove the battery pack, remove debris from the battery port, and then clean the contacts with a clean, dry cloth.
	Battery pack cold	Allow the battery pack to warm to the minimum operating temperature of 32°F (0°C).
Motor runs, but cutting blades do not move	Object preventing cutting blade movement	See “Correcting blade bind”.
Hedge trimmer does not cut properly	Resin buildup preventing cutting blade movement	See “Blade care”.
	Cutting blades are dull	Have the cutting blades professionally sharpened.
Battery pack does not charge	Battery pack over/under temperature protection is activated	This may occur when the hedge trimmer is run continuously or exposed to high ambient temperatures. Allow the battery pack to reach the acceptable temperature range before charging. See “Charging the battery pack”.
	Dirty or damaged contacts on battery pack or charger	Inspect the contacts on both the battery pack and the charger. Clean as described in “Maintenance and cleaning”, then reinsert into the charger and make sure it is fully seated.
	Battery pack is at the end of its life	All batteries have a limited life. If the battery pack is more than two years old or has been recharged frequently, it may be time to replace it. Replace only with the battery pack specified for this hedge trimmer.
	Charger faulty	Have the function checked at an approved service location.

SYMPTOM	POSSIBLE CAUSE	RECOMMENDED ACTIONS
Low cut time per battery charge	Cutting blades are dull	Have the cutting blades professionally sharpened.
	Worn cutting blades	Have the cutting blades replaced at an approved service location.
	Bent cutting blades	Have the cutting blades replaced at an approved service location.
	Improper cutting technique	Follow guidelines in "Basic cutting".
	Higher cutting speed than necessary	Apply less pressure to the throttle trigger.
	Resin buildup preventing cutting blade movement	See "Blade care".
	Battery pack not fully charged	See "Charging the battery pack".
Blinking orange light on charge state indicator	Charger short circuit, charger over current, over voltage limit, open circuit on battery pack, or charge/pre-charge time out error	<ol style="list-style-type: none"> 1. Make sure the charger cord is connected to both the charger and the electrical outlet. 2. Make sure the charger is receiving the correct voltage. 3. Try charging another battery pack designed for this charger. <p>If this does not correct the problem, have the function checked at an approved service location.</p>

WARRANTY AND SERVICE

WARRANTY

Blount, Inc. warrants all registered OREGON® Cordless Tools, Battery Packs, and Chargers for a period of two (2) years from original date of purchase, and ninety (90) days if used for commercial purposes. This limited warranty applies to the OREGON® Cordless Tool System manufactured products. During the warranty period, Blount will replace or, at its option, repair for the original purchaser only, free of charge, any product or part which is found upon examination by Blount to be defective in material and/or workmanship. The purchaser shall be responsible for all transportation charges and any cost of removing any part submitted for replacement under this warranty.

SERVICE AND SUPPORT INFORMATION
















Visit us on the web at **OregonCordless.com** for service center information, or contact our customer service department at 888.313.8665 for assistance, additional technical advice, repair, or replacement parts.

For safety, use only genuine factory replacement parts on the hedge trimmer. Our service center is staffed with trained personnel to efficiently provide support and assistance with adjustment, repair, or replacement of all OREGON® Cordless Tool System products.

TABLE DES MATIÈRES

SYMBOLES ET ÉTIQUETTES	25
RÈGLES DE SÉCURITÉ.	26
AVERTISSEMENTS DE SÉCURITÉ GÉNÉRAUX	
POUR OUTILS ÉLECTRIQUES	26
SÉCURITÉ DU LIEU DE TRAVAIL	26
SÉCURITÉ ÉLECTRIQUE.	26
SÉCURITÉ PERSONNELLE	27
UTILISATION ET ENTRETIEN DES OUTILS ÉLECTRIQUES	28
UTILISATION ET ENTRETIEN DES OUTILS	
FONCTIONNANT À BATTERIE	28
SERVICE	28
AVERTISSEMENTS DE SÉCURITÉ DU TAILLE-HAIE.	29
RANGEMENT, TRANSPORT ET MISE AU REBUT	30
SÉCURITÉ DE LA BATTERIE	31
SÉCURITÉ DU CHARGEUR	32
IDENTIFICATION DU PRODUIT	33
SPÉCIFICATIONS ET COMPOSANTS	34
NOMS ET TERMES UTILISÉS POUR LE TAILLE-HAIE.	35
FONCTIONNEMENT DU TAILLE-HAIE	36
DÉBALLAGE	36
BLOC DE BATTERIE ET CHARGEUR.	36
FONCTIONNEMENT GÉNÉRAL	38
COUPE DE HAIES.	40
ENTRETIEN ET NETTOYAGE	42
TAILLE-HAIE	42
BLOC DE BATTERIE	43
CHARGEUR.	43
DÉPANNAGE.	44
GARANTIE ET SERVICE.	46

SYMBOLES ET ÉTIQUETTES

SYMBOLE	NOM	EXPLICATION
	CONSTRUCTION DE CLASSE II	DÉSIGNE LES OUTILS DE CONSTRUCTION À DOUBLE ISOLATION.
	SYMBOLE D'ALERTE DE SÉCURITÉ	INDIQUE QUE LE TEXTE QUI SUIT PRÉCISE UN DANGER, UN AVERTISSEMENT OU LA MENTION ATTENTION.
	LIRE LES INSTRUCTIONS	LE MANUEL D'INSTRUCTIONS ORIGINAL CONTIENT DES RENSEIGNEMENTS IMPORTANTS SUR LA SÉCURITÉ ET LE FONCTIONNEMENT. LIRE ET OBSERVER ATTENTIVEMENT LES INSTRUCTIONS.
	PORTER UNE PROTECTION OCULAIRE	PORTER UNE PROTECTION OCULAIRE PENDANT L'UTILISATION DU TAILLE-HAIE.
	PORTER DES GANTS DE PROTECTION	PORTER DES GANTS PENDANT L'UTILISATION DU TAILLE-HAIE ET LORS DE LA MANIPULATION DES LAMES DE COUPE.
	PUISSANCE ACOUSTIQUE	LE NIVEAU DE PUISSANCE ACOUSTIQUE EST DE 74 DB.
	PRISE À DEUX MAINS	TENIR LE TAILLE-HAIE À DEUX MAINS.
	PRISE À UNE MAIN	NE JAMAIS TENIR LE TAILLE-HAIE À UNE MAIN.
	NE PAS INCINÉRER	NE PAS METTRE AU FEU.
	NE PAS JETER	NE PAS JETER DANS LES ORDURES MÉNAGÈRES. EMMENER DANS UN CENTRE DE RECYCLAGE AGRÉÉ.
	NE PAS EXPOSER À LA PLUIE	NE PAS SE SERVIR DE LE CHARGEUR DANS LA PLUIE.
	UTILISATION À L'INTÉRIEUR UNIQUEMENT	DESTINÉ À UN USAGE À L'INTÉRIEUR UNIQUEMENT.
	INSPECTER L'ALIMENTATION ÉLECTRIQUE	VÉRIFIER RÉGULIÈREMENT QUE L'ALIMENTATION ÉLECTRIQUE ET LE CÂBLE DU CHARGEUR NE SONT PAS ENDOMMAGÉS.
	TEMPÉRATURE DE FONCTIONNEMENT	LE BLOC DE BATTERIE NE DOIT ÊTRE UTILISÉ QU'À UNE TEMPÉRATURE COMPRISE ENTRE 0 °C ET 40 °C (32 °F À 104 °F).
	OUTIL DE COUPE	OUTIL DE COUPE. NE PAS TOUCHER LES LAMES DE COUPE AVANT D'AVOIR TOUT D'ABORD MIS LE TAILLE-HAIE HORS SERVICE EN RETIRANT LE BLOC DE BATTERIE.

INTRODUCTION

Ce taille-haie est conçu pour l'entretien régulier et l'élagage. Il n'est pas conçu pour couper des branches d'un diamètre supérieur à 19 mm (3/4 de po). Les autres utilisations peuvent provoquer des blessures et ne sont pas autorisées.

RÈGLES DE SÉCURITÉ

AVERTISSEMENTS DE SÉCURITÉ GÉNÉRAUX POUR OUTILS ÉLECTRIQUES

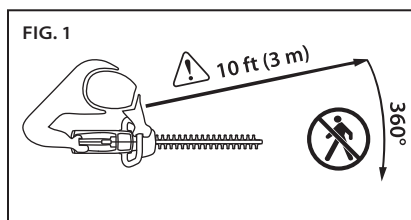
⚠ AVERTISSEMENT : VEUILLEZ LIRE ET COMPRENDRE TOUS LES AVERTISSEMENTS DE SÉCURITÉ ET TOUTES LES INSTRUCTIONS. LE NON-RESPECT DES AVERTISSEMENTS ET INSTRUCTIONS PEUT ENTRAÎNER UNE DÉCHARGE ÉLECTRIQUE, UN INCENDIE ET/OU DES BLESSURES GRAVES.



CONSERVER TOUS LES AVERTISSEMENTS ET INSTRUCTIONS POUR POUVOIR LES CONSULTER ULTÉRIEUREMENT. DANS LES AVERTISSEMENTS, LE TERME « OUTIL ÉLECTRIQUE » DÉSIGNE VOTRE OUTIL ÉLECTRIQUE FONCTIONNANT SUR SECTEUR (AVEC CORDON) OU VOTRE OUTIL ÉLECTRIQUE FONCTIONNANT AVEC BATTERIES (SANS FIL).

SÉCURITÉ DU LIEU DE TRAVAIL

- Garder le lieu de travail propre et suffisamment éclairé. Les endroits encombrés ou sombres sont propices aux accidents.
- Ne pas faire fonctionner d'outils électriques dans des atmosphères explosives, par exemple en présence de liquides, de gaz ou de poussières inflammables. Les outils électriques produisent des étincelles risquant d'enflammer les poussières ou vapeurs.
- Tenir les enfants et les personnes se trouvant à proximité à l'écart pendant l'utilisation d'un outil électrique (Fig. 1). Les distractions peuvent causer une perte de contrôle.



⚠ ATTENTION : ÉTABLIR UNE ZONE DE SÉCURITÉ DE 3 M (10 PIEDS) POUR LES PERSONNES À PROXIMITÉ AVANT DE FAIRE FONCTIONNER CET

ÉQUIPEMENT. Zone de sécurité pour les personnes à proximité : un cercle de 3 m (10 pieds) autour de l'opérateur doit être libre de toute personne, tout enfant et animal domestique.

SÉCURITÉ ÉLECTRIQUE

- Les fiches des outils électriques doivent correspondre à la prise utilisée. Ne jamais modifier la fiche, de quelque façon que ce soit. Ne jamais utiliser d'adaptateur de fiche avec des outils électriques mis à la terre (masse). Les fiches et prises non modifiées réduisent le risque de décharge électrique.
- Éviter tout contact corporel avec des surfaces mises à la terre ou à la masse, telles que tuyaux, radiateurs, cuisinières et réfrigérateurs. Le risque de décharge électrique est accru lorsque le corps est mis à la terre ou à la masse.
- Ne pas exposer les outils électriques à la pluie ou à l'humidité. La pénétration d'eau dans ces outils accroît le risque de décharge électrique.
- Ne pas maltraiter le cordon d'alimentation. Ne jamais utiliser le cordon pour transporter l'outil électrique, le tirer et ne jamais débrancher ce dernier en tirant sur le cordon. Garder le cordon à l'écart de la chaleur, de l'huile, des objets

tranchants et des pièces en mouvement.

Un cordon endommagé ou emmêlé accroît le risque de décharge électrique.

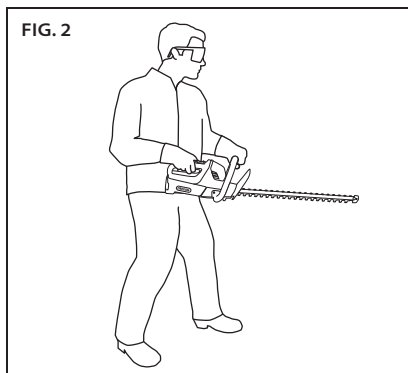
- **Pour les travaux à l'extérieur, utiliser un cordon prolongateur spécialement conçu à cet effet.** *Utiliser un cordon conçu pour un usage extérieur permet de réduire les risques de décharge électrique. Si le fonctionnement de l'outil électrique dans un endroit humide est inévitable, utiliser une prise protégée par un dispositif différentiel à courant résiduel (DDR) ou un disjoncteur de fuite de terre. L'utilisation d'un DDR (disjoncteur différentiel) permet de réduire le risque de décharge électrique.*
- **Si le câble était endommagé ou coupé, retirer immédiatement la fiche du secteur.**

- **Retirer les outils et clés de réglage avant de mettre l'outil électrique en marche.** *Un outil ou une clé laissé sur une pièce rotative de l'outil électrique peut causer des blessures.*
- **Ne pas travailler hors de la portée. Toujours se tenir bien campé et en équilibre (Fig. 2).** *Une bonne tenue et un bon équilibre permettent de mieux contrôler l'outil électrique en cas de situation imprévue.*

SÉCURITÉ PERSONNELLE



- **Rester vigilant, prêter attention au travail effectué et faire preuve de bon sens lors de l'utilisation d'un outil électrique.** *Ne pas utiliser d'outil électrique en état de fatigue ou sous l'influence de l'alcool, de drogues ou de médicaments. Un moment d'inattention pendant l'utilisation d'un outil électrique peut entraîner des blessures graves.*
- **Utiliser un équipement de protection individuel. Toujours porter une protection oculaire.** *L'équipement de protection, tel qu'un masque filtrant, des chaussures de sécurité, un casque ou une protection auditive, utilisé dans des conditions appropriées réduira le risque de blessures.*
- **Éviter les démarrages accidentels.** *S'assurer que le commutateur est verrouillé en position d'arrêt avant tout branchement à la source d'alimentation et/ou au bloc de batterie ou avant de soulever ou de transporter l'outil. Le transport d'outil électrique avec le doigt sur le commutateur ou le branchement d'un outil électrique dont le commutateur est en position de marche est propice aux accidents.*



- **Porter une tenue appropriée. Ne porter ni vêtements amples, ni bijoux.** *Garder les cheveux, les vêtements et les gants à l'écart des pièces en mouvement. Les vêtements amples, bijoux et cheveux longs peuvent se prendre dans les pièces en mouvement.*
- **Si les outils sont équipés de dispositifs de dépoussiérage, s'assurer qu'ils sont connectés et correctement utilisés.** *L'usage de ces dispositifs peut réduire les dangers présentés par la poussière.*
- **Des rapports montrent qu'une utilisation prolongée d'un outil électrique peut engendrer des troubles vasculaires, neurologiques ou musculaires (par exemple le phénomène du doigt mort ou la maladie de Raynaud).** *Pour réduire les risques de blessure, suivre ces instructions :*
 - Porter des gants et maintenir les mains et le corps au chaud.
 - Maintenir fermement le taille-haie, mais ne pas exercer de pression excessive pendant une période prolongée.
 - Prendre fréquemment des pauses.

Les vibrations lors d'une utilisation normale peuvent différer des valeurs indiquées selon le matériau coupé, l'entretien du système de coupe et d'autres facteurs.

UTILISATION ET ENTRETIEN DES OUTILS ÉLECTRIQUES

- **Ne pas forcer sur l'outil électrique.** Utiliser l'outil électrique approprié pour le travail. *Un outil électrique approprié exécutera le travail mieux et de façon moins dangereuse s'il est utilisé dans les limites prévues.*
- **Ne pas utiliser l'outil électrique si le commutateur ne permet pas de le mettre en marche ou de l'arrêter.** Tout outil électrique qui ne peut pas être contrôlé par son commutateur est dangereux et doit être réparé.
- **Débrancher l'outil électrique et/ou retirer le bloc de batterie avant d'effectuer des réglages, de changer d'accessoire ou de ranger l'outil électrique.** Ces mesures de sécurité préventives réduisent les risques de démarrage accidentel de l'outil électrique.



- **Ranger les outils électriques à l'arrêt hors de la portée des enfants et ne laisser personne non familiarisé avec l'outil électrique ou avec ces instructions utiliser l'outil électrique.** Dans les mains d'utilisateurs n'ayant pas reçu d'instructions adéquates, les outils électriques sont dangereux.
- **Entretien des outils électriques.** Vérifier qu'aucune pièce mobile n'est mal alignée ou bloquée, qu'aucune pièce n'est brisée et s'assurer qu'aucun autre problème ne risque d'affecter le bon fonctionnement de l'outil. En cas de dommages, faire réparer l'outil électrique avant de l'utiliser de nouveau. *Beaucoup d'accidents sont dus à des outils électriques mal entretenus.*
- **Garder les outils de coupe bien affûtés et propres.** Des outils de coupe correctement entretenus et dont les tranchants sont bien affûtés risquent moins de se bloquer et sont plus faciles à contrôler.

- **Utiliser l'outil électrique, les accessoires et embouts, etc., conformément aux présentes instructions en tenant compte des conditions et du type de travail à exécuter.** *L'utilisation d'un outil électrique pour des applications pour lesquelles il n'est pas conçu peut être dangereuse.*

UTILISATION ET ENTRETIEN DES OUTILS FONCTIONNANT À BATTERIE

- **Ne rechargez l'outil qu'à l'aide du chargeur spécifié par le fabricant.** Un chargeur indiqué pour un certain type de batterie peut entraîner un risque d'incendie en cas d'utilisation avec une autre batterie.
- **N'utilisez les outils électriques qu'avec les batteries spécifiquement indiquées.** L'utilisation de toute autre batterie peut entraîner un risque d'incendie ou de blessure.
- **Hors utilisation, conservez la batterie à l'écart des autres objets métalliques tels que les trombones, pièces de monnaie, clés, clous, vis et autres petits objets métalliques pouvant établir une connexion entre les deux bornes.** Provoquer un court-circuit entre les bornes de la batterie peut entraîner des brûlures ou un incendie.
- **En cas d'utilisation abusive, la batterie peut éjecter une certaine quantité de liquide : évitez tout contact.** En cas de contact accidentel, rincez à l'eau. En cas de contact avec les yeux, consultez également un médecin. Le liquide en question peut entraîner des irritations ou des brûlures.

SERVICE

Les réparations doivent être confiées à un technicien qualifié, utilisant exclusivement des pièces identiques à celles d'origine. Cela assurera le maintien du niveau de sécurité de l'outil électrique.

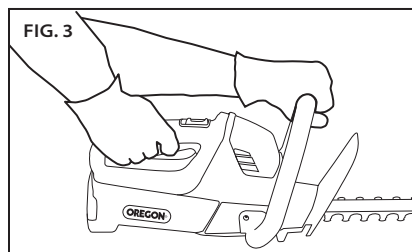
AVERTISSEMENTS DE SÉCURITÉ DU TAILLE-HAIE



⚠ DANGER : GARDER LES MAINS ÉLOIGNÉES DE LA LAME. ENTRER EN CONTACT AVEC LA LAME PEUT ENTRAÎNER DES BLESSURES GRAVES.

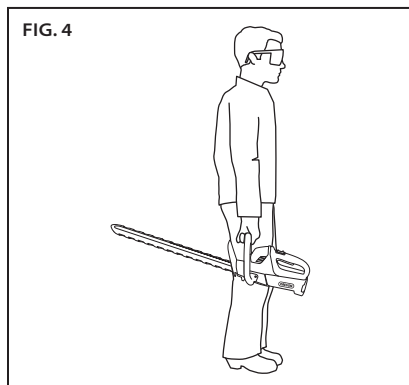
⚠ AVERTISSEMENT : SE SERVIR DU TAILLE-HAIE UNIQUEMENT SI LA POIGNÉE ET LE PARE-MAIN SONT MONTÉS CORRECTEMENT. L'UTILISATION DU TAILLE-HAIE SANS LA PROTECTION APPROPRIÉE NI LA POIGNÉE PEUT ENTRAÎNER DES BLESSURES GRAVES.

- Faire fonctionner le taille-haie des deux mains. L'utilisation avec une seule main peut provoquer une perte de contrôle et entraîner des blessures graves (Fig. 3).



- Garder toutes les parties du corps éloignées de la lame de coupe. Ne jamais retirer le matériau coupé et ne jamais maintenir le matériau à découper lorsque les lames sont en mouvement. S'assurer que le commutateur est en position d'arrêt avant de retirer les matériaux bloqués. Les lames peuvent continuer de tourner malgré l'arrêt de l'outil. Un moment d'inattention durant le fonctionnement du taille-haie peut entraîner de graves blessures.

- Transporter le taille-haie à l'aide de la poignée avec la lame arrêtée (Fig. 4).



- Pour le transport ou le rangement du taille-haie, toujours couvrir l'outil de coupe. Toujours couvrir la lame avec le couvercle lors du transport ou du rangement du taille-haie. Une manipulation appropriée du taille-haie réduira les éventuelles blessures corporelles causées par les lames de coupe.
- Lorsque l'outil est utilisé pour un travail risquant de le mettre en contact avec des fils électriques cachés ou son propre cordon, le tenir par les surfaces de prise isolées. En cas de contact des lames de coupe avec un fil sous tension, les parties métalliques exposées de l'outil seraient électrisées, exposant l'opérateur à un risque de décharge électrique.
- Les pièces du taille-haie ne sont pas conçues pour être réparées par l'utilisateur. Le changement de lame, le service et la réparation nécessitent une formation spécifique. Consulter le chapitre « Service et renseignements techniques » pour plus de renseignements.

RANGEMENT, TRANSPORT ET MISE AU REBUT

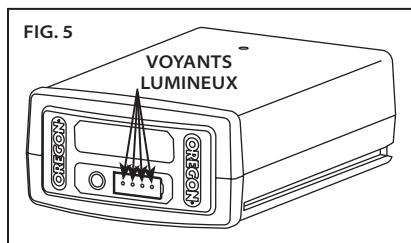
RANGEMENT DU TAILLE-HAIE

- Enduire les lames de coupe de lubrifiant. Consulter le chapitre « Entretien et nettoyage » pour plus de renseignements.
- Retirer le bloc de batterie du taille-haie.
- Nettoyer soigneusement le taille-haie.
- Installer le couvre-lame.
- Ranger dans un endroit sec.
- Conserver hors de la portée des enfants ou des animaux domestiques.

RANGEMENT DU BLOC DE BATTERIE

Si le bloc de batterie devait être entreposé plus de neuf mois, suivre les directives suivantes :

- Retirer le bloc de batterie du taille-haie ou du chargeur.
- Ranger dans un endroit frais et sec.
- Conserver hors de la portée des enfants ou des animaux domestiques.
- Pour prolonger l'autonomie de la batterie, ne jamais ranger le bloc de batterie s'il est complètement déchargé (Fig. 5).



- Conserver à une température comprise entre -20 °C et 30 °C (-4 °F à 86 °F).



RANGEMENT DU CHARGEUR

- Retirer le bloc de batterie du chargeur.
- Toujours débrancher le chargeur de la source d'alimentation électrique.
- Ranger dans un endroit sec.
- Conserver hors de la portée des enfants ou des animaux domestiques.

Consulter le chapitre « Entretien et nettoyage » pour plus de renseignements.

TRANSPORT DU TAILLE-HAIE

Préparer le taille-haie comme indiqué dans le chapitre « Rangement du taille-haie » avant l'expédition.

TRANSPORT DU BLOC DE BATTERIE

Respecter les réglementations nationales en vigueur lors de l'expédition de batteries au lithium ion. Un marquage spécifique du colis peut être nécessaire.

MISE AU REBUT DU BLOC DE BATTERIE

Ne pas jeter le bloc de batterie dans les ordures ménagères ni dans un incinérateur. Les entreprises locales de traitement des déchets et de recyclage possèdent les renseignements concernant le recyclage approprié ou les instructions de mise au rebut. Les blocs de batterie peuvent être collectés aux États-Unis ou au Canada via l'organisme Rechargeable Battery Recycling Corporation. OREGON® s'est déjà acquitté des frais de recyclage des blocs de batterie. Retourner les blocs de batterie en fin de vie chez un détaillant participant ou dans un centre de recyclage. Retrouver les différents emplacements pour les retours et de plus amples renseignements sur www.call2recycle.org ou en appelant le 1 800 8BATTERY.



SÉCURITÉ DE LA BATTERIE

⚠ DANGER : EN CAS DE NON-RESPECT DES PRÉSENTES RÈGLES DE SÉCURITÉ, LE BLOC DE BATTERIE PEUT RÉPANDRE DES PRODUITS CHIMIQUES DANGEREUX, SURCHAUFFER, ÉMETTRE DE LA FUMÉE, ÉCLATER, S'EMBRASER, EXPLOSER ET/OU PRENDRE FEU.

⚠ ATTENTION : NE PAS JETER LE BLOC DE BATTERIE AU FEU OU DANS LES ORDURES MÉNAGÈRES. LES BLOCS DE BATTERIE AU LITHIUM ION DOIVENT ÊTRE RECYCLÉS DANS UN CENTRE DE RECYCLAGE LOCAL AGRÉÉ.

⚠ ATTENTION : NE PAS EXPOSER LE BLOC DE BATTERIE À DE FORTES CHALEURS COMME À L'INTÉRIEUR D'UN VÉHICULE PAR TEMPS CHAUD. UNE TELLE EXPOSITION PEUT PROVOQUER UNE PERTE DE PUISSANCE ET/OU RACCOURCIR LA DURÉE DE VIE. NE PAS ESSAYER DE RECHARGER UN BLOC DE BATTERIE NON RECHARGEABLE.

- Ne pas démonter ni modifier le bloc de batterie. Cela peut endommager les dispositifs de sécurité.
- Ne pas connecter d'objets métalliques aux bornes positive (+) et négative (-) du bloc de batterie ou le ranger avec des objets métalliques tels que des pièces ou des vis. Cela peut provoquer un court-circuit et produire une chaleur suffisante pour occasionner des brûlures.
- Ne pas incinérer le bloc de batterie ou le soumettre à une chaleur excessive. Cela peut faire fondre l'isolant ou endommager les dispositifs de sécurité.
- Ne pas utiliser, charger ou ranger près d'une source de chaleur supérieure à 80 °C (176 °F). Cela peut créer une surchauffe ou un court-circuit interne.
- Ne pas exposer à des conditions d'humidité extrême. Cela peut endommager les dispositifs de sécurité, provoquer une charge de tension et de courant extrêmement élevée et entraîner des réactions chimiques anormales.
- Utiliser uniquement le chargeur spécialement conçu pour le bloc de batterie et suivre les précautions de sécurité décrites dans le chapitre « Sécurité du chargeur ». L'utilisation d'un chargeur différent pourrait endommager les dispositifs de sécurité, provoquer une charge de tension et de courant extrêmement élevée et entraîner des réactions chimiques anormales.
- Ne pas utiliser une batterie de marque OREGON® pour des outils d'une autre marque.
- Ne pas faire tomber, percer ou jeter le bloc de batterie et ne pas utiliser un bloc de batterie endommagé ou déformé.
- Si la recharge échoue, ne tenter en aucun cas de charger de nouveau.
- Si le bloc de batterie dégage une odeur, produit de la chaleur ou qu'il se décolore, se déforme ou que son fonctionnement est anormal durant l'utilisation, la recharge ou lors du rangement, le retirer immédiatement du taille-haie ou du chargeur.
- Toute fuite de liquide provenant de la batterie est corrosive. Elle peut provoquer des lésions aux yeux et à la peau, et peut également être toxique si elle est avalée.

SÉCURITÉ DU CHARGEUR

MESURES DE SÉCURITÉ IMPORTANTES

⚠ ATTENTION : CET APPAREIL N'EST PAS DESTINÉ À ÊTRE UTILISÉ PAR DES PERSONNES (Y COMPRIS LES ENFANTS) À CAPACITÉS PHYSIQUES, SENSORIELLES OU MENTALES RÉDUITES, OU MANQUANT DE CONNAISSANCES, SAUF SI ELLES BÉNÉFICIENT, PAR L'INTERMÉDIAIRE D'UNE PERSONNE RESPONSABLE DE LEUR SÉCURITÉ, D'UNE SURVEILLANCE OU D'INSTRUCTIONS PRÉALABLES. IL EST IMPORTANT DE SURVEILLER LES ENFANTS AFIN QU'ILS NE JOUENT PAS AVEC CES APPAREILS.

⚠ AVERTISSEMENT : RISQUE DE DÉCHARGE ÉLECTRIQUE. POUR LES TRAVAUX À L'EXTÉRIEUR, INSTALLER UNE PRISE PROTÉGÉE PAR UN DISJONCTEUR DIFFÉRENTIEL DE CLASSE A QUI SOIT RÉSISTANTE AUX INTEMPÉRIES AVEC LE BLOC D'ALIMENTATION RELIÉ À LA PRISE. S'IL N'Y EN A PAS DE DISPONIBLE, COMMUNIQUER AVEC UN ÉLECTRICIEN QUALIFIÉ QUI EFFECTUERA L'INSTALLATION APPROPRIÉE. S'ASSURER QUE LE BLOC D'ALIMENTATION ET LE CÂBLE NE GÉNÈRONT PAS LA FERMETURE DU COUVERCLE DE LA PRISE.

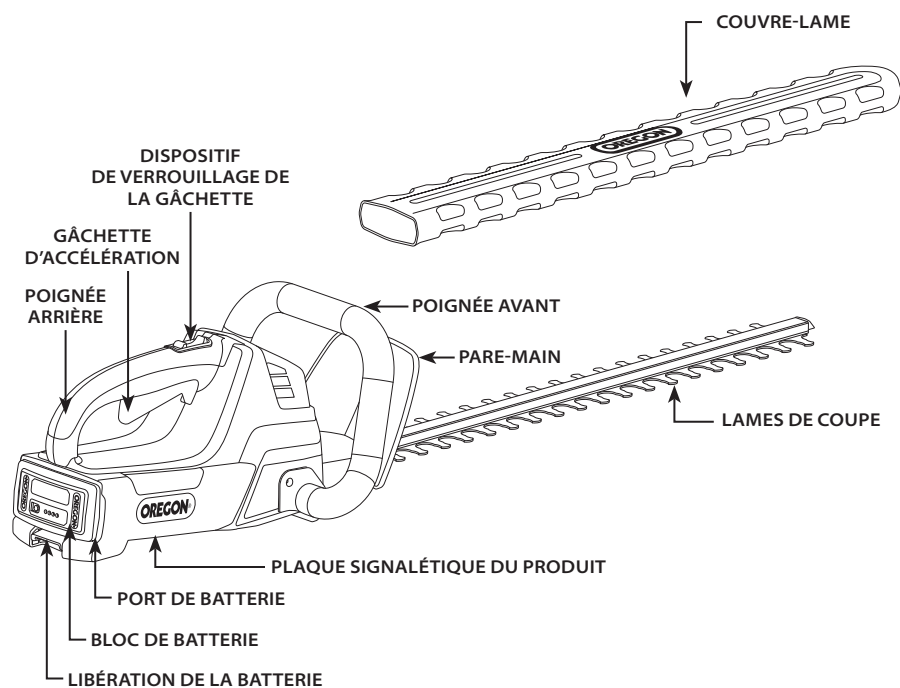
⚠ ATTENTION : UTILISER CETTE BATTERIE UNIQUEMENT AVEC LE CÂBLE D'ALIMENTATION FOURNI ET S'ASSURER QUE LE CONNECTEUR D'ENTRÉE CORRESPOND BIEN AU RÉCEPTACLE DE SORTIE.

Il convient de prendre des précautions élémentaires lors de l'utilisation de produits électriques, notamment :

- Lire et observer toutes les consignes de sécurité avant utilisation. *Lire et observer toutes les consignes présentes sur le produit ou fournies avec le produit.*
- Conserver ces consignes.
- Ne pas utiliser de cordon prolongateur.
- Ne pas maltraiter le cordon d'alimentation. Ne jamais utiliser le cordon pour transporter l'outil électrique, le tirer et ne jamais débrancher ce dernier en tirant sur le cordon. Garder le cordon à l'écart de la chaleur, de l'huile, des objets tranchants et des pièces en mouvement. *Un cordon endommagé ou emmêlé accroît le risque de décharge électrique.*
- Ne pas exposer la batterie à la pluie *Usage à l'intérieur uniquement.*
- Ne pas utiliser à moins de 3 m (10 pieds) d'une piscine.
- Ne pas utiliser dans une salle de bain.

IDENTIFICATION DU PRODUIT

CONNAÎTRE LE TAILLE-HAIE



REMARQUE : consulter « Déballage » pour obtenir la liste des articles inclus.

SPÉCIFICATIONS ET COMPOSANTS

COMPOSANTS DE RECHANGE		NUMÉRO DE PIÈCE
BLOC DE BATTERIE, MODÈLE B500S		558818
BLOC DE BATTERIE, MODÈLE B400E		545938
CHARGEUR AVEC CÂBLE, MODÈLE C600		540580
CHARGEUR AVEC CÂBLE, MODÈLE C750		548185
CHARGEUR, MODÈLE C600		
ALIMENTATION	100-240 V~ 50-60 Hz 60 W	
ALIMENTATION (ÉTATS-UNIS ET CANADA UNIQUEMENT)	120 V~ 60 Hz 60 W	
PUISSANCE	41,5 V _{max} 1,25 A	
CÂBLE D'ALIMENTATION	US/CAN N/P : 546636 EU N/P : 547383 UK N/P : 547384	
BLOC DE BATTERIE, MODÈLE B400E		
TYPE	LITHIUM ION	
TENSION, NOMINALE	+37 VDC	
TEMPÉRATURES DE FONCTIONNEMENT	0 °C À 40 °C (32 °F À 104 °F)	
MODÈLE	CAPACITÉ, NOMINALE	TEMPS DE CHARGE (APPROX.)
B500S	1,25 Ah/47 Wh	60 MINUTES
B400E	2,40 Ah/89 Wh	120 MINUTES
TAILLE-HAIE		
LONGUEUR DE LAME	600 mm (24 pouces)	
TYPE DE LAME	DOUBLE LAME ALTERNATIVE	
VITESSE DE COUPE MAXIMALE DE LA LAME	2 750 COUPS PAR MINUTE	
POIDS AVEC LE B500S	4 kg (8,8 lb)	
POIDS AVEC LE B400E	4,4 kg (9,8 lb)	
NIVEAU DE PUISSANCE ACOUSTIQUE	74 dB L _{WA} (K, 0.18 dB)	
VIBRATION	1.16 m/s ² (K, 0.26 m/s ²)	

NOMS ET TERMES UTILISÉS POUR LE TAILLE-HAIE

Blocage de lame : Situation au cours de laquelle les lames de coupe ne bougent plus du fait d'un matériau logé entre les parties mobiles et stationnaires des lames de coupe.

Dispositif de verrouillage de la gâchette : Butée d'arrêt mobile qui empêche la mise en route accidentelle du taille-haie jusqu'à son activation manuelle.

Gâchette d'accélération : Dispositif de contrôle de la vitesse des lames de coupe.

Lames de coupe : Série de surfaces affûtées saillantes à l'avant du taille-haie qui effectuent un mouvement d'avant en arrière pour couper les haies.

Nouvelle pousse : La plus récente pousse d'une plante. Elle est généralement d'une teinte plus claire, moins ligneuse et plus flexible que le reste de la plante.

Pare-main : Barrière structurelle entre la poignée avant du taille-haie et les lames de coupe.

Poignée arrière : Poignée de soutien située à l'arrière ou vers l'arrière du taille-haie, à côté de la gâchette d'accélération.

Poignée avant : Poignée de soutien située à l'avant ou vers l'avant du taille-haie.

Saison de coupe : Le moment idéal pour tailler les haies varie en fonction du type de plante. Cependant, il est généralement avisé d'effectuer la taille pendant les périodes de pousse lente, lorsque la floraison est terminée. Consulter un pépiniériste local pour avoir des conseils sur la taille des différentes plantes.

Vitesse de coupe : Le taille-haie possède une vitesse de coupe réglable. Appuyer plus fort sur la gâchette d'accélération pour obtenir une vitesse de coupe plus rapide. Pour garantir le meilleur temps de coupe à chaque charge, utiliser uniquement la vitesse de coupe minimale pour couper le matériau.

Zone de sécurité pour les personnes à proximité : Un cercle de 3 m (10 pieds) autour de l'opérateur doit être libre de toute personne, tout enfant et animal domestique.

FONCTIONNEMENT DU TAILLE-HAIE

DÉBALLAGE

CONTENU DE LA BOÎTE

Le taille-haie est livré entièrement assemblé. Les articles suivants sont expédiés avec le taille-haie :

- Taille-haie
- Couvre-lame
- Manuel d'instructions
- Chargeur avec câble d'alimentation (si équipé)
- Batterie (si équipé)

Après avoir sorti le taille-haie de la boîte, l'examiner avec attention afin de s'assurer qu'il n'y a eu aucun dommage durant l'expédition et qu'aucune pièce ne manque. Si une pièce est endommagée ou manquante, ne pas utiliser le taille-haie. Communiquer avec OREGON® Système d'outils à batterie en appelant le 1 888 313-8665 afin d'obtenir les pièces de rechange.

BLOC DE BATTERIE ET CHARGEUR

⚠ AVERTISSEMENT : NE PAS CHARGER LE BLOC DE BATTERIE SOUS LA PLUIE.

INDICATEUR DEL DU NIVEAU DE CHARGE DU BLOC DE BATTERIE

Le bloc de batterie au lithium ion est équipé d'un indicateur DEL de niveau de charge. Pour vérifier le niveau de charge du bloc de batterie, appuyer sur le bouton indicateur sur la face avant du bloc de batterie (Fig. 6).

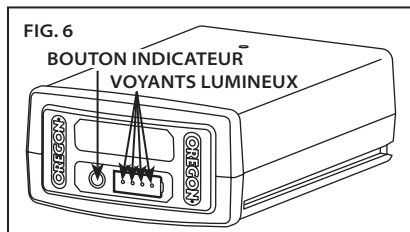
Aucun voyant : recharger.

Un voyant vert fixe : chargé à moins de 25 %. Charger le bloc de batterie avant utilisation.

Deux voyants verts fixes : chargé entre 26 et 50 %.

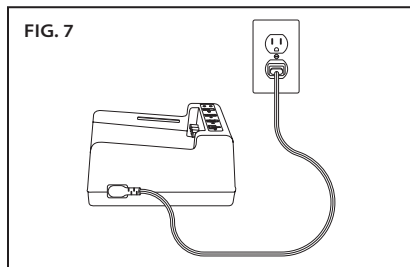
Trois voyants verts fixes : chargé entre 51 et 75 %.

Quatre voyants verts fixes : chargé entre 76 et 100 %.



CONNEXION DU CHARGEUR

Connecter le câble à son chargeur puis à la prise électrique appropriée (Fig. 7).



Utiliser uniquement le câble fourni avec le chargeur. Vérifier que la fiche correspond bien à la prise dès la première utilisation.

INDICATEUR DEL DE L'ÉTAT DE CHARGE DU CHARGEUR

Le chargeur de batterie est équipé d'un indicateur DEL de l'état de charge qui signale l'état du chargement ainsi que les conditions qui peuvent retarder ou empêcher le chargement (Fig. 8).

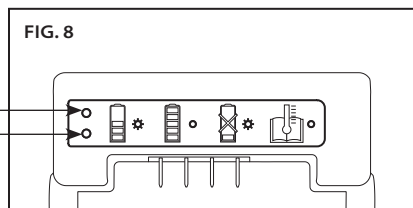
Remarque : les voyants ne seront visibles que si le bloc de batterie est introduit.

Voyant orange clignotant : présence d'un défaut.

Plusieurs causes potentielles existent. Consulter le chapitre « Dépannage » de ce manuel.

Voyant orange fixe : le bloc de batterie est à une température supérieure à la plage acceptable (entre 0 °C/32 °F et 40 °C/104 °F). Laisser le bloc de batterie atteindre la plage de température acceptable avant de le mettre en charge. Le bloc peut rester sur le chargeur pendant que la température se stabilise. Le chargement ne commencera que lorsque la température appropriée sera atteinte.

FIG. 8



Voyant vert clignotant : le bloc de batterie est en charge.

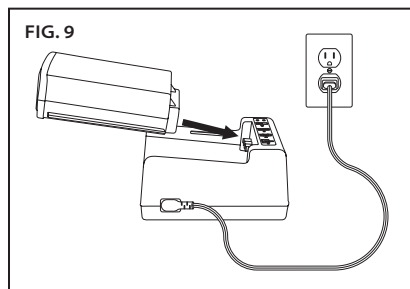
Voyant vert fixe : le bloc de batterie est PRÊT À ÊTRE UTILISÉ.

CHARGEMENT DU BLOC DE BATTERIE

⚠ AVERTISSEMENT : LE NON-RESPECT DES PROCÉDURES DE CHARGEMENT APPROPRIÉES PEUT PROVOQUER UNE TENSION EXCESSIVE, UN COURANT EXCESSIF, UNE PERTE DE CONTRÔLE PENDANT LE CHARGEMENT, UNE FUITE DE PRODUITS CHIMIQUES, UNE PRODUCTION DE CHALEUR, UNE EXPLOSION OU UN INCENDIE.

Après avoir connecté le câble à son chargeur puis branché à la prise électrique, aligner les rainures de la batterie avec les rails du chargeur et faire glisser le bloc de batterie dans le chargeur jusqu'à ce qu'il soit complètement emboîté (Fig. 9).

FIG. 9

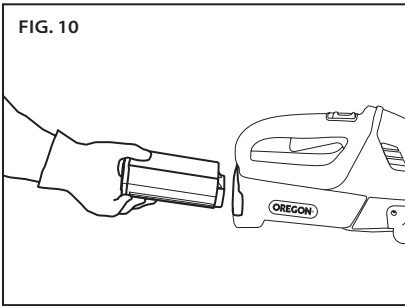


Vérifier l'indicateur de l'état de charge pour connaître les conditions de chargement.

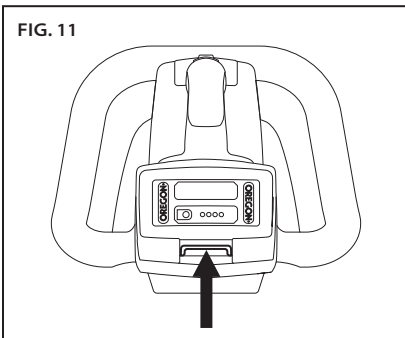
INTRODUIRE ET LIBÉRER LE BLOC DE BATTERIE

Utiliser uniquement les blocs de batterie de la marque OREGON® spécifiés dans les présentes instructions d'utilisation.

Aligner la rainure de la batterie avec les rails du port de batterie. Insérer fermement le bloc de batterie à l'intérieur du port de batterie du taille-haie en appuyant vers l'avant jusqu'au clic d'enclenchement confirmant le verrouillage (Fig. 10).



Pour retirer le bloc de batterie, soulever la batterie pour la libérer et retirer le bloc (Fig. 11).



FONCTIONNEMENT GÉNÉRAL



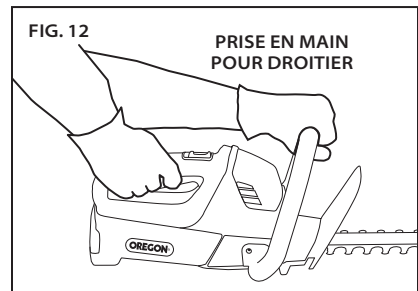
⚠ AVERTISSEMENT : TOUJOURS PORTER DES GANTS APPROPRIÉS ET UNE PROTECTION OCULAIRE.

TEMPÉRATURE DE FONCTIONNEMENT

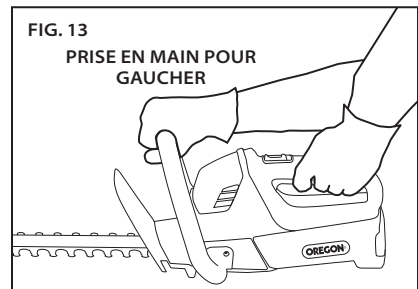
Ce taille-haie a été conçu pour fonctionner à des températures comprises entre 0 °C et 40 °C (32 °F à 104 °F).

PRISE EN MAIN

Toujours tenir l'outil à deux mains. Pour les utilisateurs droitiers, positionner le taille-haie sur une surface solide et plate, saisir la poignée avant de la main gauche et la poignée arrière de la main droite. Poser les doigts sur le dessus de la poignée avant et le pouce en dessous (Fig. 12).



Pour les utilisateurs gauchers, saisir la poignée avant de la main droite et la poignée arrière de la main gauche (Fig. 13).



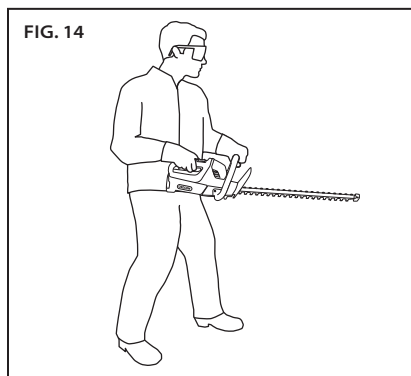
POSTURE

Se tenir debout avec les deux pieds sur un sol stable. Le poids doit être également reparti sur les deux pieds.

Ne pas se pencher trop en avant ni se tenir sur une échelle, un escabeau ou toute autre position surélevée qui n'est pas entièrement sécurisée.



Placer le taille-haie au plus près de votre corps pour conserver le contrôle (Fig. 14).

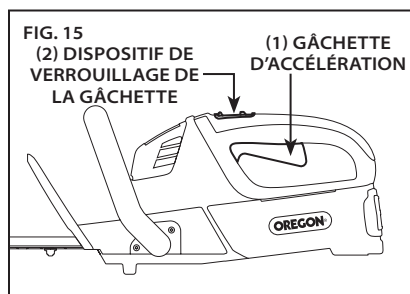


ARRÊT DU TAILLE-HAIE

Libérer la gâchette d'accélération pour arrêter le taille-haie.

DÉMARRAGE DU TAILLE-HAIE

Saisir fermement les poignées avant et arrière. Exercer une pression sur la gâchette d'accélération (1) jusqu'à ce que les lames de coupe se déplacent à la vitesse souhaitée (Fig. 15). Le taille-haie ne démarrera que lorsque le dispositif de verrouillage de la gâchette (2) sera enclenché. Pour enclencher le dispositif de verrouillage de la gâchette, tirer dessus avec le pouce.



CONTRÔLE DE LA VITESSE DES LAMES DE COUPE

La gâchette d'accélération contrôle la vitesse d'oscillation des lames de coupe. Exercer une pression plus forte sur la gâchette d'accélération pour augmenter la vitesse de coupe.

Couper le matériau en utilisant le minimum de pression requis. Cela permettra d'augmenter le temps de coupe à chaque charge de batterie et de réduire le nombre de chargements nécessaires.

COUPE DE HAIES

QUAND COUPER

Le moment idéal pour tailler les haies varie en fonction du type de plante. Cependant, il est généralement avisé d'effectuer la taille pendant les périodes de pousse lente, lorsque la floraison est terminée. Consulter un pépiniériste local pour avoir des conseils sur la taille des différentes plantes.

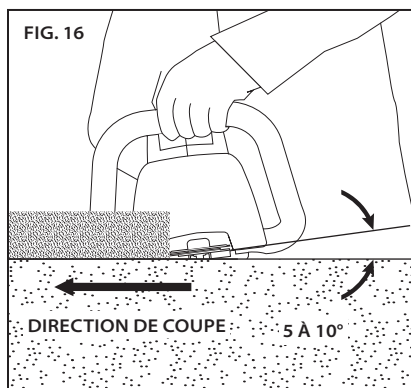
Respecter l'ensemble des règles nationales et municipales et la réglementation concernant la coupe des haies.

COUPE DE BASE

⚠ AVERTISSEMENT : QUAND LE MOTEUR TOURNE, TOUJOURS GARDER UN BON ÉQUILIBRE ET TENIR LE TAILLE-HAIE FERMEMENT DES DEUX MAINS.

Pour éviter d'endommager les lames, s'assurer que la haie ne contient pas d'objet étranger avant la taille. Retirer tout objet susceptible d'entraver la taille.

Adopter la bonne prise et la bonne posture avant de démarrer le taille-haie. Le positionner de telle façon que les lames de coupe soient inclinées entre 5° et 10° dans la direction de coupe (Fig. 16).



IMPORTANT : LES LAMES DE COUPE PEUVENT PARFOIS SE BLOQUER ET ARRÊTER DE BOUGER SI UN MATÉRIAU RESTE COINCÉ DANS LES LAMES DE COUPE OU SI LES LAMES DE COUPE ENTRENT EN CONTACT AVEC UN CÂBLE MÉTALLIQUE OU UNE CLÔTURE À MAILLES DE CHÂÎNE. CONSULTER LE CHAPITRE « DÉBLOCAGE DE LAME » POUR SAVOIR COMMENT RÉSOUDRE CE PROBLÈME.

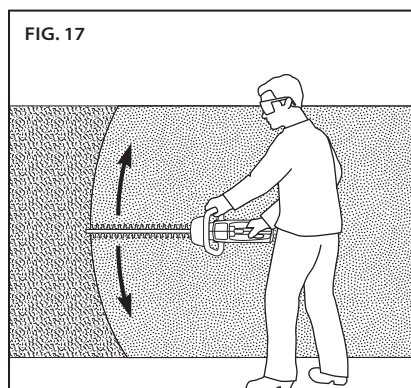
SÉQUENCE DE COUPE

Si la haie est bien palissée, se concentrer sur la taille des nouvelles pousses pour que la haie ait la forme souhaitée.

Après avoir retiré les grosses branches, utiliser le taille-haie pour tailler les côtés de la haie à la longueur désirée. Tailler le haut de la haie en dernier, après avoir terminé les côtés.

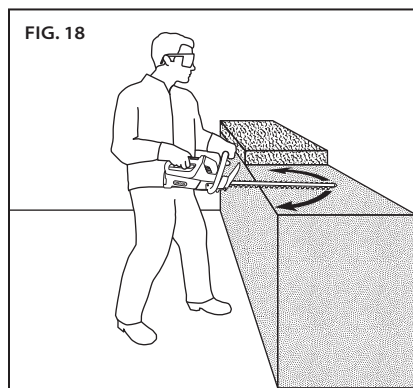
COUPE VERTICALE

Pour les côtés, commencer par couper le bas de la haie. Tenir le taille-haie de telle façon que les lames de coupe soient inclinées entre 5° et 10° dans la direction de coupe. Avancer sur la ligne de la haie, en effectuant avec le taille-haie un mouvement lent de balayage de haut en bas en formant un arc large (Fig. 17).



COUPE HORIZONTALE

Pour le haut de la haie, commencer par couper le bord le plus proche. Tenir le taille-haie de telle façon que les lames de coupe soient inclinées entre 5° et 10° dans la direction de coupe. Avancer sur la ligne de la haie, en effectuant avec le taille-haie un mouvement lent de balayage de gauche à droite en formant un arc large (Fig. 18).



Si le haut de la haie est trop large pour être coupé en un seul mouvement avec le taille-haie, ne pas se pencher au-dessus de la haie pour atteindre la partie restante. Effectuer plutôt un premier passage d'un côté de la haie et couper ensuite la partie restante de l'autre côté de la haie.

DÉBLOCAGE DE LAME

⚠ ATTENTION : TOUJOURS RETIRER LA BATTERIE AVANT DE DÉGAGER LES LAMES DE COUPE AFIN D'ÉVITER UN DÉCLENCHEMENT ACCIDENTEL DES LAMES DE COUPE.

⚠ ATTENTION : LES LAMES DE COUPE SONT AFFÛTÉES. TOUJOURS METTRE DES GANTS AVANT DE DÉGAGER LE MATÉRIAU DES LAMES DE COUPE.

Parfois, lors de la coupe de branches « vertes » flexibles, des rognures peuvent rester coincées entre les parties en mouvement des lames de coupe et la partie stationnaire. Lorsque cela se produit, les lames de coupe peuvent soudainement s'arrêter de bouger. Cela peut également se produire quand les lames de coupe entrent en contact avec un matériau trop solide pour être coupé, comme les clôtures à mailles de chaîne. Cette situation s'appelle le blocage de lame.

Suivre les présentes directives pour débloquer le matériau en toute sécurité et de manière efficace.

- Porter des gants.
- Retirer le bloc de batterie du taille-haie. Consulter le chapitre « Retirer le bloc de batterie ».
- Dégager le matériau qui empêche les lames de coupe de bouger.

ENTRETIEN ET NETTOYAGE

TAILLE-HAIE

⚠ AVERTISSEMENT : INSPECTER LE TAILLE-HAIE. LA PREMIÈRE ÉTAPE D'UN BON ENTRETIEN EST L'INSPECTION RÉGULIÈRE. SUIVRE LES DIRECTIVES CI-DESSOUS POUR GARANTIR SÉCURITÉ ET SATISFACTION. S'ASSURER DE REMPLACER IMMÉDIATEMENT LES PIÈCES ENDOMMAGÉES OU EXCESSIVEMENT USÉES. L'INCAPACITÉ À IDENTIFIER ET REMPLACER LES PIÈCES ENDOMMAGÉES OU USÉES PEUT PROVOQUER DES BLESSURES GRAVES.

⚠ AVERTISSEMENT : RETIRER LE BLOC DE BATTERIE DU TAILLE-HAIE AVANT D'INSPECTER, DE NETTOYER OU DE PROCÉDER À L'ENTRETIEN. UN APPAREIL FONCTIONNANT SUR BATTERIE DONT LE BLOC DE BATTERIE EST INSÉRÉ, EST TOUJOURS EN MARCHÉ ET PEUT DONC DÉMARRER ACCIDENTELLEMENT.

⚠ ATTENTION : LORS DU NETTOYAGE DU TAILLE-HAIE, NE PAS LE PLONGER DANS L'EAU OU DANS TOUT AUTRE LIQUIDE.

NETTOYER LE TAILLE-HAIE

- Enlever la poussière, les feuilles et les rognures du taille-haie.
- Dégager les purges d'air pour garantir un bon débit d'air et éviter la surchauffe.
- Essuyer le bloc moteur avec un chiffon propre et imbibé d'eau savonneuse.
- Ne jamais utiliser de nettoyeurs forts ou de solvants.

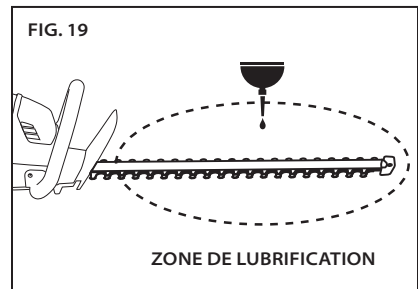
INSPECTER LES LAMES DE COUPE

S'assurer que les lames de coupe sont affûtées, qu'il n'y a ni entailles ni bords arrondis, et ne pas suspendre ou attraper pendant le fonctionnement du taille-haie. Limer périodiquement les entailles et les bavures des lames pour qu'elles puissent bouger librement. Des lames de coupe affûtées à mouvement libre coupent plus facilement que lorsqu'elles sont émoussées ou collantes.

ENTRETIEN DES LAMES

Dans certains environnements, de forts dépôts de poussière et de sève peuvent rendre les lames collantes. Afin d'éviter ce genre de situations, nettoyer les lames à l'aide d'une mince couche de silicone liquide uniquement sur la surface de lubrification des lames de coupe (Fig. 19), puis faire fonctionner les lames brièvement pour les recouvrir uniformément.

IMPORTANT : NE PAS LAISSER LE LUBRIFIANT COULER À L'INTÉRIEUR DU CORPS DU TAILLE-HAIE. NE JAMAIS UTILISER DE NETTOYANTS DÉGRAISSANTS OU DE PRODUITS HYDROFUGES SOUS FORME D'AÉROSOLS. NE PAS LUBRIFIER EXCESSIVEMENT.



INSPECTER LE PROTECTEUR DE L'EXTRÉMITÉ

Si un protecteur de l'extrémité est installé, s'assurer qu'il n'est pas courbé ou cassé. Un protecteur de l'extrémité courbé empêche les lames de coupe de bouger librement. Si le protecteur de l'extrémité est courbé ou cassé, le remplacer en se rendant dans un centre de services agréé.

INSTALLER LE COUVRE-LAME

Placer le couvre-lame au-dessus des lames de coupe pour qu'elles restent propres et pour éviter qu'elles puissent égratigner ou couper quelqu'un ou des objets.

INSPECTER LES POIGNÉES

S'assurer que les poignées avant et arrière soient propres, sèches et sans fissures ou tout autre dommage. Si une poignée endommagée venait à se casser pendant l'utilisation, cela pourrait entraîner de graves blessures.

INSPECTER LE PORT DE BATTERIE

S'assurer que le port de batterie est propre, sec et sans débris. Des débris dans le port de batterie peuvent créer une mauvaise connexion électrique entre le bloc de batterie et le taille-haie.

BLOC DE BATTERIE

▲ AVERTISSEMENT : LES PIÈCES DU BLOC DE BATTERIE NE SONT PAS CONÇUES POUR ÊTRE RÉPARÉES PAR L'UTILISATEUR. NE PAS DÉMONTER.

Les batteries au lithium ion ont une autonomie prédéterminée. Si le temps de coupe diminue sensiblement à chaque charge, cela signifie que le bloc de batterie est à la fin de sa vie utile et qu'il doit être remplacé.

- S'assurer que le bloc de batterie, y compris les contacts, est propre, sec et ne possède aucun signe de perforation, d'impact ou tout autre dommage. Une batterie endommagée peut provoquer des incendies ou libérer des produits chimiques dangereux.
- Nettoyer les contacts sales avec un chiffon doux et sec. La saleté ou l'huile peuvent être la cause d'une mauvaise connexion électrique, avec pour conséquence une perte de puissance.

CHARGEUR

- Débrancher le chargeur de la prise électrique.
- Nettoyer les contacts sales avec un chiffon doux et sec.

DÉPANNAGE

Se servir de ce tableau pour trouver les solutions possibles aux problèmes rencontrés avec le taille-haie. Si ces suggestions ne permettent pas de résoudre le problème, consulter le chapitre « Service et renseignements techniques ».

SYMPTÔME	CAUSE POSSIBLE	MESURES RECOMMANDÉES
Le moteur ne tourne pas ou tourne par intermittence	Batterie déchargée	Recharger. Consulter le chapitre « Chargement du bloc de batterie ».
	Dispositif de verrouillage de la gâchette non enclenché	Appuyer sur le dispositif de verrouillage de la gâchette avant d'exercer une pression sur la gâchette d'accélération. Consulter le chapitre « Démarrage du taille-haie ».
	Bloc de batterie partiellement inséré	Enfoncer le bloc de batterie dans le port de batterie jusqu'à ce qu'il s'enclenche en position.
	Contacts de batterie sales	Retirer le bloc de batterie, enlever les débris du port de batterie et nettoyer ensuite les contacts avec un chiffon propre et sec.
	Bloc de batterie froid	Laisser le bloc de batterie chauffer jusqu'à la température minimum de fonctionnement de 0° C (32° F).
Le moteur tourne, mais les lames de coupe sont arrêtées	Objet empêchant le mouvement des lames de coupe	Consulter le chapitre « Déblocage de lame ».
Le taille-haie ne coupe pas correctement	Accumulation de résine empêchant le mouvement des lames de coupe	Consulter le chapitre « Entretien des lames ».
	Les lames de coupe sont émoussées	Faire affûter les lames de coupe par un professionnel.
Le bloc de batterie ne charge pas	La protection contre les températures de surchauffe/sous-chauffe du bloc de batterie est activée	Cela peut se produire lorsque le taille-haie fonctionne en continu ou est exposé à des températures ambiantes élevées. Laisser le bloc de batterie atteindre la plage de température acceptable avant le chargement. Consulter le chapitre « Chargement du bloc de batterie ».
	Contacts sales ou endommagés sur le bloc de batterie ou sur le chargeur	Inspecter les contacts sur le bloc de batterie et sur le chargeur. Les nettoyer comme indiqué dans le chapitre « Entretien et nettoyage », réinsérer ensuite le bloc de batterie dans le chargeur puis s'assurer qu'il soit complètement emboîté.
	Le bloc de batterie est en fin de vie	Toutes les batteries ont une durée de vie limitée. Si le bloc de batterie a plus de dix ans ou qu'il a été rechargé fréquemment, le moment est peut-être venu de le changer. Ne le remplacer que par un bloc de batterie spécifié pour ce taille-haie.
	Chargeur défectueux	Faire contrôler la fonction dans un centre de services agréé.

SYMPTÔME	CAUSE POSSIBLE	MESURES RECOMMANDÉES
Temps de coupe faible par charge de batterie	Les lames de coupe sont émoussées	Faire affûter les lames de coupe par un professionnel.
	Lames de coupe usées	Faire remplacer les lames de coupe dans un centre de services agréé.
	Lames de coupe courbées	Faire remplacer les lames de coupe dans un centre de service agréé.
	Mauvaise technique de coupe	Suivre les directives du chapitre « Coupe de base ».
	Vitesse de coupe plus élevée que nécessaire	Exercer moins de pression sur la gâchette d'accélération.
	Accumulation de résine empêchant le mouvement de la lame de coupe	Consulter le chapitre « Entretien des lames ».
	Bloc de batterie partiellement chargé	Consulter le chapitre « Chargement du bloc de batterie ».
Voyant orange clignotant sur l'indicateur de l'état de charge	Court-circuit dans le chargeur, surintensité du chargeur, limite de surtension, circuit ouvert sur le bloc de batterie ou erreur causée par un délai d'inactivité de chargement/ pré-chargement	<ol style="list-style-type: none"> 1. S'assurer que le câble du chargeur est connecté au chargeur d'un côté et à la prise électrique de l'autre. 2. S'assurer que la tension qui arrive au chargeur est adéquate. 3. Essayer de charger un autre bloc de batterie conçu pour ce chargeur. <p>Si cela ne résout pas le problème, faire contrôler la fonction dans un centre de services agréé.</p>

GARANTIE ET SERVICE

GARANTIE

Blount inc. garantit tous les outils à batterie, les blocs de batterie et les chargeurs de la marque déposée OREGON® pour une période de deux (2) ans à compter de la date d'achat d'origine et dans les quatre-vingt-dix (90) jours s'ils sont utilisés à des fins commerciales. Cette garantie limitée s'applique à tous les produits manufacturés OREGON® Système d'outils à batterie. Pendant la période de garantie, Blount procédera au remplacement ou, à son gré, à la réparation gratuite, uniquement pour l'acheteur original, de tout produit ou pièce s'avérant, après examen par Blount, défectueux en raison d'un vice de matériel et/ou de fabrication. L'acheteur devra prendre à sa charge tous les frais de transport et tout autre coût afférent au retrait de toute pièce soumise à des fins de remplacement dans le cadre de la garantie.

SERVICE ET RENSEIGNEMENTS TECHNIQUES

Consultez notre site Web à l'adresse **OregonCordless.com** pour plus de renseignements sur notre centre de services, ou communiquez avec notre service à la clientèle en composant le 1 888 313-8665 pour obtenir de l'aide, des conseils techniques supplémentaires, une réparation ou des pièces de rechange.

Pour des raisons de sécurité, utiliser uniquement des pièces de rechange d'origine sur le taille-haie. Notre centre de services est doté d'un personnel qualifié afin de vous fournir un soutien et une assistance efficaces en matière de réglage, de réparation ou de remplacement de tous les produits OREGON® Système d'outils à batterie.

ÍNDICE

SÍMBOLOS Y ETIQUETAS	48
REGLAS DE SEGURIDAD.	49
ADVERTENCIAS DE SEGURIDAD GENERALES	
SOBRE LA HERRAMIENTA MECÁNICA.	49
SEGURIDAD EN EL ÁREA DE TRABAJO	49
SEGURIDAD ELÉCTRICA.	49
SEGURIDAD PERSONAL	50
USO Y CUIDADO DE LA HERRAMIENTA MECÁNICA	51
USO Y CUIDADO DE LA HERRAMIENTA DE BATERÍAS.	51
SERVICIO TÉCNICO	51
ALMACENAMIENTO, TRANSPORTE Y ELIMINACIÓN.	53
SEGURIDAD DE LA BATERÍA	54
SEGURIDAD DEL CARGADOR	55
IDENTIFICACIÓN DEL PRODUCTO.	56
ESPECIFICACIONES Y COMPONENTES	57
NOMBRES Y TÉRMINOS DEL CORTASETOS	58
CÓMO OPERAR EL CORTASETOS.	59
DESEMPAQUE.	59
BATERÍA Y CARGADOR.	59
OPERACIÓN GENERAL	61
CÓMO CORTAR SETOS.	63
MANTENIMIENTO Y LIMPIEZA.	65
CORTASETOS	65
BATERÍA	66
CARGADOR	66
RESOLUCIÓN DE PROBLEMAS	67
GARANTÍA Y SERVICIO TÉCNICO	69

SÍMBOLOS Y ETIQUETAS

SÍMBOLO	NOMBRE	EXPLICACIÓN
	CONSTRUCCIÓN DE CLASE II	HERRAMIENTAS DE CONSTRUCCIÓN DESIGNADAS CON DOBLE AISLAMIENTO.
	SÍMBOLO DE ALERTA DE SEGURIDAD	INDICA QUE EL TEXTO SIGUIENTE EXPLICA UN PELIGRO, UNA ADVERTENCIA O UNA PRECAUCIÓN.
	LEA LAS INSTRUCCIONES	EL MANUAL DE INSTRUCCIONES ORIGINAL CONTIENE INFORMACIÓN IMPORTANTE SOBRE LA SEGURIDAD Y LA OPERACIÓN. LEA LAS INSTRUCCIONES Y SÍGALAS ATENTAMENTE.
	UTILICE PROTECCIÓN PARA LOS OJOS	UTILICE PROTECCIÓN PARA LOS OJOS AL OPERAR EL CORTASETOS.
	UTILICE PROTECCIÓN PARA LAS MANOS	UTILICE GUANTES AL OPERAR EL CORTASETOS Y AL MANIPULAR LAS S DE CORTE.
	POTENCIA DEL SONIDO	EL NIVEL DE POTENCIA DEL SONIDO ES DE 74 DB.
	AGARRE CON DOS MANOS	SOSTENGA EL CORTASETOS CON AMBAS MANOS.
	AGARRE CON UNA MANO	NO SOSTENGA EL CORTASETOS CON UNA MANO.
	NO INCINERE	NO ARROJE A LAS LLAMAS.
	NO ELIMINE	NO ARROJE EN LOS DESECHOS DOMÉSTICOS. LLEVE A UN RECICLADOR AUTORIZADO.
	NO EXPONER A LA LLUVIA	NO UTILICE EL CARGADOR EN LA LLUVIA.
	USO EN INTERIORES ÚNICAMENTE	PARA USO EN INTERIORES ÚNICAMENTE.
	INSPECCIONE EL SUMINISTRO DE ENERGÍA	INSPECCIONE EL SUMINISTRO DE ENERGÍA DEL CARGADOR Y DEL CABLE EN FORMA REGULAR PARA DETECTAR DAÑOS.
	TEMPERATURA OPERATIVA	ÚNICAMENTE UTILICE LA BATERÍA A UNA TEMPERATURA ENTRE LOS 32 °F Y LOS 104 °F (0 °C Y 40 °C).
	HERRAMIENTA DE CORTE	HERRAMIENTA DE CORTE. NO TOQUE LAS HOJAS DE CORTE SIN PRIMERO DESACTIVAR EL CORTASETOS RETIRANDO LA BATERÍA.

INTRODUCCIÓN

Este cortasetos está diseñado para el mantenimiento y la poda regulares. No está diseñado para cortar ramas mayores de 3/4 de pulgada (19 mm) de diámetro. Otros usos pueden causar lesiones; por lo tanto, no están permitidos.

REGLAS DE SEGURIDAD

ADVERTENCIAS DE SEGURIDAD GENERALES SOBRE LA HERRAMIENTA MECÁNICA

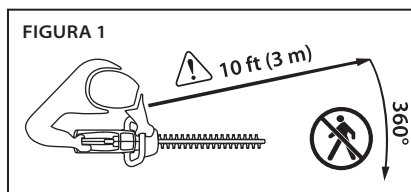
⚠ ADVERTENCIA: LEA Y COMPRENDA TODAS LAS ADVERTENCIAS DE SEGURIDAD E INSTRUCCIONES. NO SEGUIR LAS ADVERTENCIAS Y LAS INSTRUCCIONES PUEDE PROVOCAR CHOQUE ELÉCTRICO, INCENDIO Y/O LESIONES GRAVES.



CONSERVE TODAS LAS ADVERTENCIAS Y LAS INSTRUCCIONES COMO REFERENCIA PARA EL FUTURO. EN LAS ADVERTENCIAS, EL TÉRMINO "HERRAMIENTA MECÁNICA" SE REFIERE A SU HERRAMIENTA MECÁNICA CON ALIMENTACIÓN ELÉCTRICA (CON CABLE) O A SU HERRAMIENTA MECÁNICA QUE FUNCIONA A BATERÍA (INALÁMBRICA).

SEGURIDAD EN EL ÁREA DE TRABAJO

- Mantenga el área de trabajo limpia y bien iluminada. *Las áreas desordenadas u oscuras aumentan las posibilidades de que se produzca un accidente.*
- No opere herramientas mecánicas en atmósferas explosivas, como en presencia de líquidos, gases o polvo inflamables. *Las herramientas mecánicas producen chispas que pueden encender el polvo o las emanaciones.*
- Mantenga a los niños y a los transeúntes alejados mientras opere una herramienta mecánica (Figura 1). *Las distracciones pueden provocar que pierda el control.*



⚠ PRECAUCIÓN: ESTABLEZCA UNA ZONA DE SEGURIDAD PARA TRANSEÚNTES DE 10 FT (3 M) ANTES DE OPERAR ESTE EQUIPO. *La Zona de seguridad para transeúntes es un círculo de*

10 ft (3 m) alrededor del operador en el que no debe haber transeúntes, niños ni mascotas.

SEGURIDAD ELÉCTRICA

- Los enchufes de la herramienta mecánica deben coincidir con el tomacorriente. Nunca modifique el enchufe de ningún modo. No utilice ningún adaptador con herramientas mecánicas conectadas a tierra. *Los enchufes no modificados y los tomacorrientes que coincidan reducirán el riesgo de que se produzca un choque eléctrico.*
- Evite el contacto del cuerpo con superficies conectadas a tierra, como tuberías, radiadores, estufas y refrigeradores. *Si su cuerpo se encuentra conectado a tierra, existe mayor riesgo de que se produzca un choque eléctrico.*
- No exponga las herramientas mecánicas a la lluvia ni a condiciones de humedad. *Si ingresa agua a una herramienta mecánica aumentará el riesgo de un choque eléctrico.*
- No fuerce el cable. Nunca utilice el cable para transportar, tirar o desenchufar la herramienta mecánica. Mantenga el cable alejado del calor, del aceite, de los bordes afilados o de las piezas móviles. *Los cables dañados o enredados aumentan el riesgo de que se produzca un choque eléctrico.*

- **Mientras opere una herramienta mecánica al aire libre, utilice un cable de extensión adecuado para el uso al aire libre.** *La utilización de un cable adecuado para el uso al aire libre reduce el riesgo de un choque eléctrico.*
- **Si es inevitable operar la herramienta mecánica en un lugar húmedo, utilice un suministro protegido con un dispositivo de corriente residual (residual current device, RCD) o un interruptor de circuito de falla a tierra (ground fault circuit interrupter, GFCI).** *La utilización de un RCD (GFCI) reduce el riesgo de un choque eléctrico.*
- **Si el cable está dañado o cortado, retire el enchufe de la red eléctrica de inmediato.**

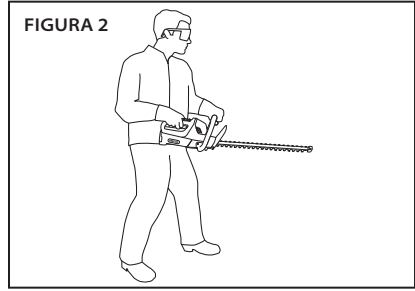
SEGURIDAD PERSONAL



- **Permanezca atento, preste atención a lo que hace y utilice el sentido común al operar una herramienta mecánica.** *No utilice una herramienta mecánica cuando esté cansado o bajo la influencia de drogas, alcohol o medicamentos. Un momento de distracción mientras opera herramientas mecánicas puede provocar lesiones personales graves.*
- **Utilice equipo de protección personal. Siempre utilice protección para los ojos.** *La utilización de equipo de protección, como una máscara contra el polvo, calzado de seguridad antideslizante, un casco de seguridad o protección para los oídos, para las condiciones apropiadas reducirá las lesiones personales.*
- **Evite los arranques no intencionales. Asegúrese de que el interruptor esté en la posición de apagado antes de conectar a una fuente de energía y/o batería, de levantar o de transportar la herramienta.** *Transportar herramientas mecánicas con el dedo en el interruptor o activar las herramientas mecánicas que tienen el interruptor encendido aumentan las posibilidades de que se produzca un accidente.*
- **Retire toda cuña o llave de tuercas antes de encender la herramienta mecánica.** *Si se dejan una llave de tuercas*

o una cuña acopladas a una pieza rotativa de la herramienta mecánica, estas pueden provocar lesiones personales.

- **No se estire más allá de su alcance. Mantenga un apoyo y un equilibrio adecuados en todo momento (Figura 2).** *Esto permite controlar mejor la herramienta mecánica en situaciones imprevistas.*



- **Vístase en forma adecuada. No utilice ropa suelta ni joyas.** *Mantenga el pelo, la ropa y los guantes alejados de las piezas móviles. La ropa suelta, las joyas o el pelo largo pueden quedar atrapados en las piezas móviles.*
- **Si se proporcionan dispositivos para la conexión de instalaciones de extracción y recolección de polvo, asegúrese de que estas estén conectadas y de que se utilicen en forma adecuada.** *La utilización de recolección de polvo puede reducir los peligros relacionados con el polvo.*
- **Se ha informado que el uso prolongado de herramientas mecánicas provoca trastornos vasculares, musculares o neurológicos (como el dedo blanco por vibración o síndrome de Raynaud).** *Para reducir el riesgo de que se produzcan lesiones, siga estas instrucciones:*
 - *Utilice guantes, y mantenga las manos y el cuerpo calientes.*
 - *Mantenga una sujeción firme en el cortasetos, pero no ejerza una presión prolongada y excesiva.*
 - *Descanse con frecuencia.*

La vibración en el uso normal puede diferir de los valores indicados en función del material que se está cortando, del mantenimiento del sistema de corte y de otros factores.

USO Y CUIDADO DE LA HERRAMIENTA MECÁNICA

- **No fuerce la herramienta mecánica. Utilice la herramienta mecánica correcta para su aplicación.** *La herramienta mecánica correcta hará el trabajo mejor y en forma más segura, a la velocidad para la que se diseñó.*
- **No utilice la herramienta mecánica si el interruptor no la enciende y la apaga.** *Cualquier herramienta mecánica que no pueda ser controlada con el interruptor es peligrosa y debe ser reparada.*
- **Desconecte el enchufe de la fuente de energía y/o la batería de la herramienta mecánica antes de hacer cualquier ajuste, cambiar accesorios o almacenar herramientas mecánicas.** *Dichas medidas de seguridad preventivas reducen el riesgo de arrancar la herramienta mecánica en forma accidental.*



- **Almacene las herramientas mecánicas que no se encuentren en uso fuera del alcance de los niños y no permita que las operen personas que no conocen las herramientas mecánicas ni estas instrucciones.** *Las herramientas mecánicas son peligrosas en las manos de usuarios no capacitados.*
- **Haga mantenimiento a las herramientas mecánicas. Revise si las piezas móviles están desalineadas o se han atascado, si se han roto piezas y cualquier otra condición que pudiese afectar la operación de la herramienta mecánica. Si está dañada, haga reparar la herramienta mecánica antes de utilizarla.** *Muchos accidentes son provocados por herramientas mecánicas con un mantenimiento deficiente.*
- **Mantenga las herramientas de corte afiladas y limpias.** *Las herramientas de corte mantenidas en forma adecuada con bordes de corte afilados tienen menos probabilidades de atascarse y son más fáciles de controlar.*

- **Utilice la herramienta mecánica, los accesorios, los vástagos de herramientas, etc. de acuerdo con estas instrucciones, tomando en cuenta las condiciones de trabajo y la tarea por realizar.** *La utilización de la herramienta mecánica para operaciones distintas de las operaciones para las que se diseñó podría provocar una situación peligrosa.*

USO Y CUIDADO DE LA HERRAMIENTA DE BATERÍAS

- **Recargue solo con el cargador especificado por el fabricante.** *Un cargador que sea adecuado para un tipo de paquete de batería puede originar un riesgo de incendio cuando se usa con otro paquete de batería.*
- **Use las herramientas mecánicas solo con los paquetes de batería específicamente designados.** *El uso de otros paquetes de batería puede originar riesgos de lesiones e incendios.*
- **Cuando no use el paquete de batería, manténgalo alejado de otros objetos de metal, como sujetapapeles, monedas, llaves, clavos, tornillos u otros objetos de metal pequeños, que puedan hacer conexión desde un terminal hasta el otro.** *Puentear los terminales de las baterías puede provocar quemaduras o un incendio.*
- **En condiciones abusivas, puede salir líquido eyectado de la batería; evite el contacto. Si el contacto ocurre accidentalmente, enjuague con agua. Si el líquido entra en contacto con los ojos, busque además asistencia médica.** *El líquido eyectado de la batería puede provocar irritación o quemaduras.*

SERVICIO TÉCNICO

Realice el servicio técnico de su herramienta mecánica con un técnico de reparación calificado utilizando solamente piezas de repuesto idénticas. Esto garantizará que se mantenga la seguridad de la herramienta mecánica.

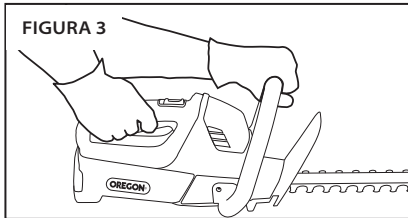
ADVERTENCIAS DE SEGURIDAD SOBRE EL CORTASETOS



⚠ PELIGRO: MANTENGA LAS MANOS ALEJADAS DE LA HOJA. EL CONTACTO CON LA HOJA PROVOCARÁ LESIONES PERSONALES GRAVES.

⚠ ADVERTENCIA: UTILICE ÚNICAMENTE CON ASA Y PROTECTOR MONTADOS EN FORMA ADECUADA EN EL CORTASETOS. LA UTILIZACIÓN DEL CORTASETOS SIN EL PROTECTOR O EL ASA ADECUADOS PROPORCIONADOS PUEDE PROVOCAR LESIONES PERSONALES GRAVES.

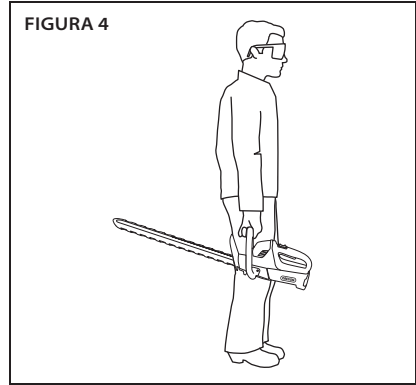
• Utilice ambas manos al operar el cortasetos. Utilizar una mano podría provocar la pérdida de control y provocar lesiones personales graves (Figura 3).



• Mantenga todas las partes del cuerpo alejadas de la hoja de corte. No retire el material de corte ni sujete el material por cortar cuando las s se estén moviendo. Asegúrese de que el interruptor esté apagado cuando elimine el material atascado. Las s marchan por inercia después del apagado. Un momento de distracción mientras opera el cortasetos puede provocar lesiones personales graves.

• Transporte el cortasetos por el asa con la hoja de corte detenida (Figura 4). Al transportar o almacenar el cortasetos, siempre acople la tapa del dispositivo de corte. El manejo adecuado del cortasetos reducirá las posibilidades de que se produzcan lesiones personales con las hojas de corte.

FIGURA 4



• Sostenga la herramienta mecánica únicamente por las superficies de sujeción aisladas, debido a que la de corte puede entrar en contacto con cables escondidos o con su propio cable. Las s de corte que entren en contacto con un cable "con corriente" pueden "dar corriente" a partes metálicas expuestas de la herramienta mecánica y podrían dar un choque eléctrico al operador.

• El cortasetos no tiene piezas cuyo mantenimiento pueda realizar el usuario. El reemplazo, el servicio técnico y los trabajos de reparación de la hoja requieren una capacitación especial. Consulte "Información sobre servicio técnico y soporte" para obtener la información de contacto.

ALMACENAMIENTO, TRANSPORTE Y ELIMINACIÓN

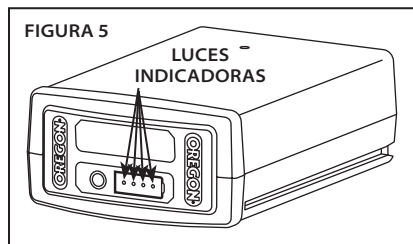
CÓMO ALMACENAR EL CORTASETOS

- Aplique lubricante a las hojas de corte. Consulte “Mantenimiento y limpieza” para obtener más información.”
- Retire la batería del cortasetos.
- Limpie minuciosamente el cortasetos.
- Instale la funda de hoja.
- Almacene en un lugar seco.
- Mantenga fuera del alcance de los niños o las mascotas.

CÓMO ALMACENAR LA BATERÍA

Cuando almacene la batería por más de nueve meses, siga estas pautas:

- Retire la batería del cortasetos o del cargador.
- Almacene en un lugar fresco y seco.
- Mantenga fuera del alcance de los niños o las mascotas.
- Para prolongar la vida útil de la batería, nunca la almacene completamente descargada (Figura 5).



- Almacene a una temperatura entre los -4 °F y los 86 °F (-20 °C y 30 °C).



CÓMO ALMACENAR EL CARGADOR

- Retire la batería del cargador.
- Desconecte el cargador de la fuente de energía.
- Almacene en un lugar seco.
- Mantenga fuera del alcance de los niños o las mascotas.

Consulte “Mantenimiento y limpieza” para obtener más información.

CÓMO TRANSPORTAR EL CORTASETOS

Prepare el cortasetos según lo descrito en “Cómo almacenar el cortasetos” antes de enviarlo.

CÓMO TRANSPORTAR LA BATERÍA

Cumpla las reglamentaciones nacionales al enviar baterías de ion-litio. Es posible que se requiera un etiquetado de empaque especial.

ELIMINACIÓN DE LA BATERÍA

No elimine la batería en los contenedores de basura domésticos ni la incinere. Las agencias locales de manejo y reciclado de desechos tienen información sobre las instrucciones adecuadas de reciclado o eliminación. Las baterías pueden recolectarse en los Estados Unidos o en Canadá por medio de la Corporación de Reciclado de Baterías Recargables. OREGON® ya ha pagado los costos que involucra el reciclado de baterías. Regrese las baterías al final de su vida útil a la tienda de venta minorista participante o al centro de reciclado. Pueden encontrarse las ubicaciones de devolución y más información en www.call2recycle.org o llamando al 1-800-8BATTERY.



SEGURIDAD DE LA BATERÍA

⚠ PELIGRO: NO SEGUIR ESTAS REGLAS DE SEGURIDAD PUEDE HACER QUE LA BATERÍA PIERDA SUSTANCIAS QUÍMICAS PELIGROSAS, QUE SE RECALIENTE, QUE DESPIDA HUMO, QUE ESTALLE, QUE SE QUEME, QUE EXPLOTE Y/O QUE SE INCENDIE.

⚠ PRECAUCIÓN: NO ELIMINE LA BATERÍA JUNTO CON LOS DESECHOS DOMÉSTICOS NI LA INCENDIE. LAS BATERÍAS DE ION-LITIO DEBEN SER RECICLADAS POR UN RECICLADOR LOCAL AUTORIZADO.

⚠ PRECAUCIÓN: NO EXPONGA LA BATERÍA A CALOR EXCESIVO, COMO EL INTERIOR DE UN VEHÍCULO CUANDO HACE CALOR. DICHA EXPOSICIÓN PUEDE PROVOCAR UNA PÉRDIDA DEL RENDIMIENTO Y/O DE LA VIDA ÚTIL. NO INTENTE RECARGAR UNA BATERÍA NO RECARGABLE.

- No desarme ni modifique la batería. Esto puede dañar las características de seguridad.
- No conecte los terminales positivo (+) y negativo (-) con objetos metálicos ni almacene la batería con objetos metálicos como monedas o tornillos. Esto puede provocar cortocircuitos y generar suficiente calor como para provocar quemaduras.
- No incinere la batería ni la exponga a calor excesivo. Esto puede fundir el aislamiento o dañar las características de seguridad.
- No utilice, cargue ni almacene cerca de una fuente de calor a una temperatura superior a los 176 °F (80 °C). Esto puede provocar recalentamiento y cortocircuito interno.
- No exponga a condiciones de humedad extrema. Esto puede dañar las características de seguridad, producir una carga con corriente y voltaje extremadamente altos y provocar reacciones químicas anormales.
- Utilice únicamente el cargador específicamente diseñado para la batería y siga las precauciones de seguridad descritas en "Seguridad del cargador". Utilizar otro cargador puede dañar las características de seguridad, producir una carga con corriente y voltaje extremadamente altos y provocar reacciones químicas anormales.
- No utilice baterías de marca OREGON® en herramientas que no sean de marca OREGON®.
- No golpee, perforo ni arroje la batería, y no utilice una batería dañada ni deformada.
- Si la recarga falla, no intente recargar. Si la batería desprende olor, genera calor, se descolora o se deforma, o si parece anormal de alguna manera durante el uso, la recarga o el almacenamiento, retírela del cortasetos o del cargador de inmediato.
- Todo líquido que pierda la batería es corrosivo, puede dañar los ojos y la piel, y puede ser tóxico si se traga.

SEGURIDAD DEL CARGADOR

INSTRUCCIONES DE SEGURIDAD IMPORTANTES

⚠ PRECAUCIÓN: ESTE DISPOSITIVO NO ESTÁ DISEÑADO PARA USO POR PARTE DE PERSONAS (INCLUIDOS LOS NIÑOS) CON CAPACIDADES FÍSICAS, SENSORIALES O MENTALES REDUCIDAS, O CON FALTA DE CONOCIMIENTO, A MENOS QUE HAYAN SIDO SUPERVISADAS O INSTRUIDAS POR UNA PERSONA RESPONSABLE DE SU SEGURIDAD. LOS NIÑOS DEBEN SER SUPERVISADOS, A FIN DE GARANTIZAR QUE NO JUEGUEN CON LOS DISPOSITIVOS.

⚠ ADVERTENCIA: RIESGO DE UN CHOQUE ELÉCTRICO. CUANDO SE UTILICE AL AIRE LIBRE, INSTALE ÚNICAMENTE A UN RECEPTÁCULO CUBIERTO DE CLASE A, PROTEGIDO CON UN GFCI QUE SEA IMPERMEABLE, CON LA UNIDAD DE POTENCIA CONECTADA AL RECEPTÁCULO. SI NO SE PROPORCIONA UNO, COMUNÍQUESE CON UN ELECTRICISTA CALIFICADO PARA LA INSTALACIÓN ADECUADA. ASEGÚRESE DE QUE LA UNIDAD DE POTENCIA Y EL CABLE NO INTERFIERAN EN EL CIERRE COMPLETO DE LA TAPA DEL RECEPTÁCULO.

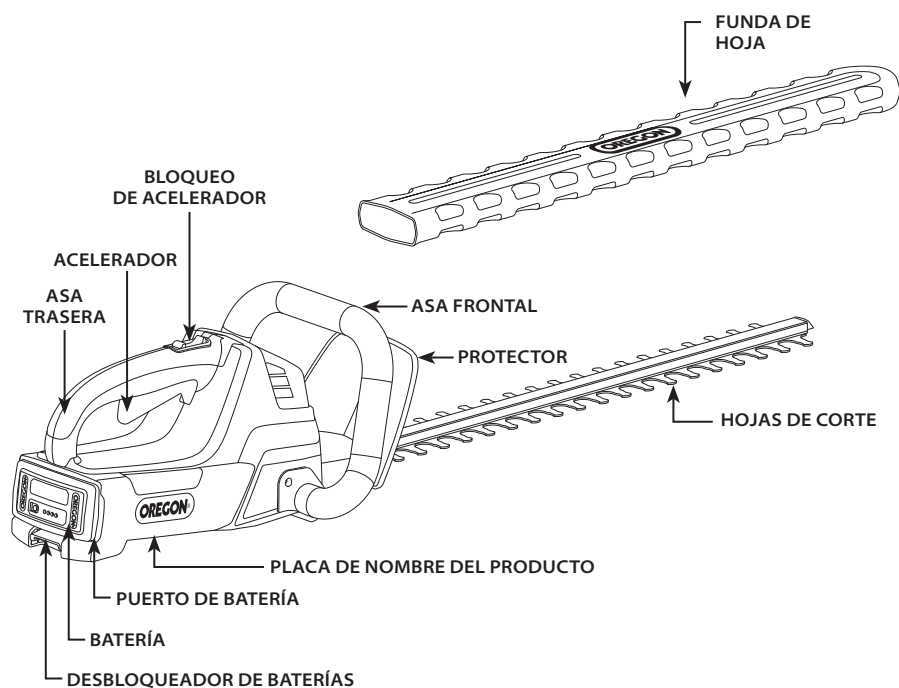
⚠ PRECAUCIÓN: UTILICE ESTE CARGADOR ÚNICAMENTE CON EL CABLE DE ALIMENTACIÓN SUMINISTRADO, ASEGURÁNDOSE DE QUE EL ENCHUFE DE ENTRADA COINCIDA CORRECTAMENTE CON EL RECEPTÁCULO DE SALIDA.

Al utilizar productos eléctricos, siempre deben seguirse precauciones básicas entre las que se incluyen las siguientes:

- **Lea y siga todas las instrucciones de seguridad antes del uso.** *Lea y siga todas las instrucciones de seguridad que se encuentren en el producto o que se proporcionen con el producto.*
- **Conservar estas instrucciones.**
- **No utilice un cable de extensión.**
- **No fuerce el cable.** Nunca utilice el cable para transportar, tirar o desenchufar la herramienta mecánica. Mantenga el cable alejado del calor, el aceite, los bordes afilados o las piezas móviles. *Los cables dañados o enredados aumentan el riesgo de que se produzca un choque eléctrico.*
- **No exponga el cargador a la lluvia.** *Para uso en interiores.*
- **No utilice a menos de 10 ft (3 m) de una piscina.**
- **No utilice en un baño.**

IDENTIFICACIÓN DEL PRODUCTO

CONOZCA EL CORTASETOS



NOTA: Consulte "Desempaquete" para obtener una lista de los artículos incluidos.

ESPECIFICACIONES Y COMPONENTES

COMPONENTES DE REPUESTO		NÚMERO DE PIEZA
BATERÍA, MODELO B500S		558818
BATERÍA, MODELO B400E		545938
CARGADOR CON CABLE, MODELO C600		540580
CARGADOR CON CABLE, MODELO C750		548185
CARGADOR, MODELO C600		
ENTRADA	100-240 V~ 50-60 Hz 60 W	
ENTRADA (EE. UU. Y CANADÁ ÚNICAMENTE)	120 V~ 60 Hz 60 W	
SALIDA	41,5 V=== 1,25 A	
CABLE DE ALIMENTACIÓN	EE. UU./CAN P/N: 546636 UE P/N: 547383 RU P/N: 547384	
BATERÍA, MODELO B400E		
TIPO	ION-LITIO	
VOLTAJE, NOMINAL	+37 V CC	
TEMPERATURAS OPERATIVAS	DE 32 °F A 104 °F (DE 0 °C A 40 °C)	
MODELO	CAPACIDAD, NOMINAL	TIEMPO DE CARGA (APROX.)
B500S	1,25 Ah/47 Wh	60 MINUTOS
B400E	2,40 Ah/89 Wh	120 MINUTOS
CORTASETOS		
LONGITUD DE LA HOJA	24 in (600 mm)	
TIPO DE	ALTERNATIVA DOBLE	
MÁXIMA VELOCIDAD DE CORTE DE LA	2750 PASADAS POR MINUTO	
PESO CON B500S	8,8 lb (4 kg)	
PESO CON B400E	9,8 lb (4,4 kg)	
NIVEL DE POTENCIA DEL SONIDO	74 dB L _{WA} (K, 0.18 dB)	
VIBRACIÓN	1.16 m/s ² (K, 0.26 m/s ²)	

NOMBRES Y TÉRMINOS DEL CORTASETOS

Acelerador: dispositivo que controla la velocidad de las s de corte.

Asa frontal: asa de apoyo ubicada en el frente del cortasetos o delante de este.

Asa trasera: asa de apoyo ubicada en la parte trasera del cortasetos o delante de esta, donde se ubica el acelerador.

Atascamiento de la : condición en que las s de corte no se mueven debido a que hay material trabado entre las piezas móviles y fijas de las hojas de corte.

Bloqueo de acelerador: detención móvil que evita la activación no intencional del cortasetos hasta que se lo accione en forma manual.

Hojas de corte: serie de superficies afiladas que sobresalen del frente del cortasetos, que se mueven hacia atrás y hacia adelante para cortar setos.

Nuevo brote: brote más reciente en una planta. Por lo general, es más claro, tiene menos ramas y es más flexible que el resto de la planta.

Protector: barrera estructural entre el asa frontal de un cortasetos y las s de corte.

Temporada de corte: el momento ideal para cortar setos varía según el tipo de planta, pero, por lo general, una buena práctica consiste en cortar durante períodos de crecimiento lento, después de que se haya completado el florecimiento. Consulte a un vivero local para obtener consejos para cortar plantas específicas.

Velocidad de corte: el cortasetos tiene una velocidad de corte variable. Presione el acelerador con más firmeza para lograr una velocidad de corte mayor. Para obtener el mayor tiempo de corte de cada carga, utilice solamente la mínima velocidad de corte necesaria para cortar el material.

Zona de seguridad para transeúntes: círculo de 10 ft (3 m) alrededor del operador en el que no debe haber transeúntes, niños ni mascotas.

CÓMO OPERAR EL CORTASETOS

DESEMPAQUE

¿QUÉ HAY EN LA CAJA?

El cortasetos viene completamente montado. Los siguientes artículos se envían junto con el cortasetos:

- Cortasetos
- Funda de
- Manual de instrucciones.
- Cargador y cable de alimentación (si se encuentran equipados).
- Batería (si se encuentra equipada).

Después de retirar el cortasetos de la caja, inspecciónelo con cuidado para asegurarse de que no se haya producido ningún daño durante el envío y de que no falte ninguna pieza. Si hay alguna pieza dañada o faltante, no utilice el cortasetos. Comuníquese con el Conjunto de herramientas de batería de OREGON® para obtener piezas de repuesto llamando al 1.888.313.8665.

BATERÍA Y CARGADOR

⚠ ADVERTENCIA: NO CARGUE LA BATERÍA BAJO LA LLUVIA.

INDICADOR LED DE NIVEL DE CARGA DE BATERÍA

La batería de ion-litio viene equipada con un indicador LED de nivel de carga. Para evaluar el nivel de carga de la batería, presione el botón del indicador que se encuentra en la parte delantera de la batería (Figura 6).

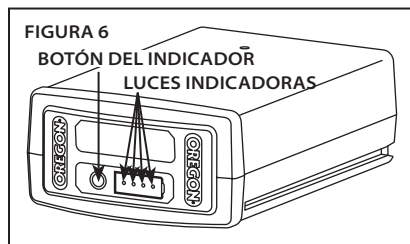
Sin luces: recargue.

Una luz verde fija: menos del 25% de carga. Cargue la batería antes de utilizarla.

Dos luces verdes fijas: entre el 26% y el 50% de carga.

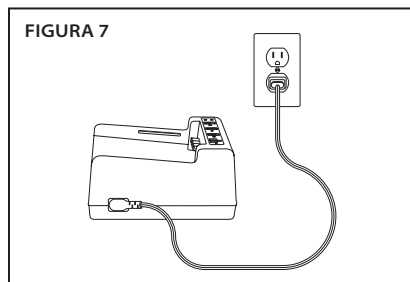
Tres luces verdes fijas: entre el 51% y el 75% de carga.

Cuatro luces verdes fijas: entre el 76% y el 100% de carga.



CÓMO CONECTAR EL CARGADOR

Conecte el cable del cargador al cargador y al tomacorriente adecuado (Figura 7).



Utilice únicamente el cable suministrado con el cargador. Al utilizarlo por primera vez, verifique que el tipo de enchufe coincida con el receptáculo.

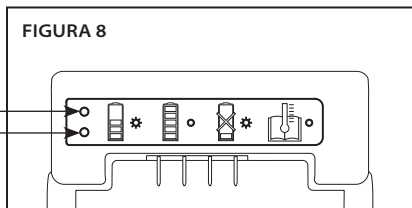
INDICADOR LED DEL ESTADO DE CARGA DEL CARGADOR

El cargador de la batería está equipado con un indicador LED del estado de carga que indica el estado de carga, así como las condiciones que podrían retrasar o impedir la carga (Figura 8).

Nota: hasta que se inserte una batería, no se verá ninguna luz.

- Luz naranja intermitente: existe una condición de falla. Hay varias causas posibles. Consulte "Resolución de problemas" en este manual.
- Luz naranja fija: la temperatura de la batería supera el rango aceptable (de 32 °F/0 °C a 104 °F/40 °C). Deje que la batería alcance el rango de temperatura aceptable antes de cargarla. Puede dejar la batería en el cargador mientras se ajusta la temperatura. La carga comenzará cuando se alcance la temperatura adecuada.

FIGURA 8



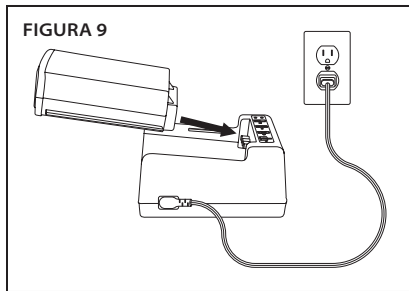
- Luz verde intermitente: la batería se está cargando.
- Luz verde fija: la batería está LISTA PARA UTILIZAR.

CÓMO CARGAR LA BATERÍA

⚠ ADVERTENCIA: NO SEGUIR LOS PROCEDIMIENTOS DE CARGA ADECUADOS PUEDE PROVOCAR VOLTAJE EXCESIVO, FLUJO DE CORRIENTE EXCESIVO, PÉRDIDA DE CONTROL DURANTE LA CARGA, FILTRACIÓN DE PRODUCTOS QUÍMICOS PELIGROSOS, GENERACIÓN DE CALOR, ESTALLIDO O INCENDIO.

Con el cable del cargador conectado al cargador y enchufado en un tomacorriente, alinee las ranuras de la batería con los carriles del cargador y deslice la batería en el cargador hasta que esté completamente asentada (Figura 9).

FIGURA 9

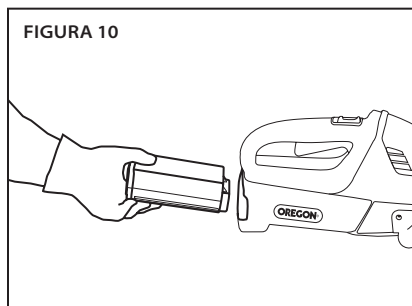


Verifique el indicador del estado de carga para conocer las condiciones de carga.

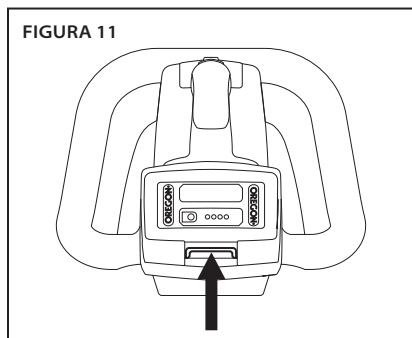
INTRODUCCIÓN Y DESBLOQUEO DE LA BATERÍA

Utilice únicamente las baterías de marca OREGON® especificadas en estas instrucciones operativas.

Alinee la ranura de la batería con los carriles que están dentro del puerto de batería. Introduzca con firmeza la batería en el puerto de batería del cortasetos, presionando hacia adelante hasta oír un clic al trabarse en su lugar (Figura 10).



Para retirar la batería, levante el desbloqueador de batería y retire la batería (Figura 11).



OPERACIÓN GENERAL



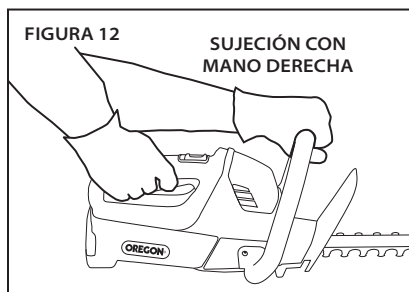
⚠ ADVERTENCIA: UTILICE SIEMPRE GUAANTES Y PROTECCIÓN PARA LOS OJOS ADECUADOS.

TEMPERATURA OPERATIVA

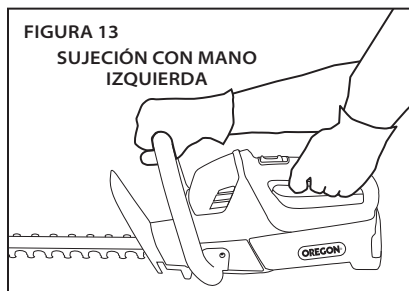
Este cortasetos está diseñado para operar dentro de un rango de temperatura de 32 °F a 104 °F (de 0 °C a 40 °C).

SUJECCIÓN

Siempre sujete la herramienta con ambas manos. Para operar con la mano derecha, coloque el cortasetos en una superficie firme y plana, sujete el asa frontal con la mano izquierda y el asa trasera con la mano derecha. Envuelva los dedos sobre la parte superior del asa frontal con el pulgar debajo del asa (Figura 12).



Para operar con la mano izquierda, sujete el asa frontal con la mano derecha y el asa trasera con la mano izquierda (Figura 13).



POSTURA

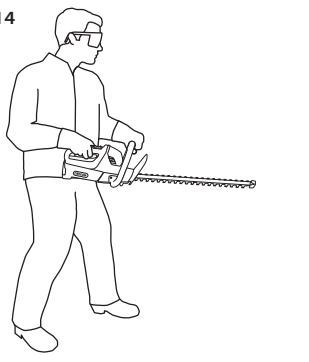
Párese con ambos pies sobre suelo sólido, con el peso distribuido de manera uniforme entre ellos.

No se estire más allá de su alcance ni se pare en una escalera, en un taburete ni en una posición en altura que no esté totalmente asegurada.



Sostenga el cortasetos tan cerca del cuerpo como sea posible para mantener el control (Figura 14).

FIGURA 14

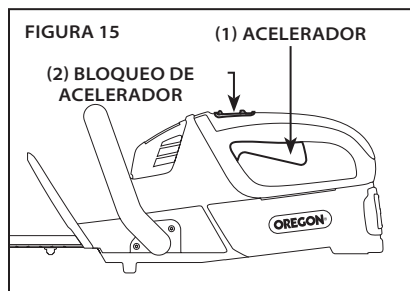


CÓMO DETENER EL CORTASETOS

Suelte el acelerador para detener el cortasetos.

CÓMO ARRANCAR EL CORTASETOS

Sujete las asas frontal y trasera con firmeza. Apriete el acelerador (1) hasta que las hojas de corte se muevan a la velocidad deseada (Figura 15). El cortasetos no arrancará, a menos que el bloqueo de acelerador (2) esté activado. Para activar el bloqueo de acelerador, tire con el pulgar.



CÓMO CONTROLAR LA VELOCIDAD DE LA DE CORTE

El acelerador controla la velocidad a la que oscilan las s de corte. Apriete el acelerador con más firmeza para lograr una velocidad de corte mayor.

Utilice la menor presión requerida para cortar el material. Esto ayuda a maximizar la cantidad de tiempo de corte por carga de batería y reduce la cantidad de operaciones de carga requeridas.

CÓMO CORTAR SETOS

CUÁNDO CORTAR

El momento ideal para cortar setos varía según el tipo de planta, pero, por lo general, una buena práctica consiste en cortar durante períodos de crecimiento lento, después de que se haya completado el florecimiento. Consulte a un vivero local para obtener consejos para cortar plantas específicas.

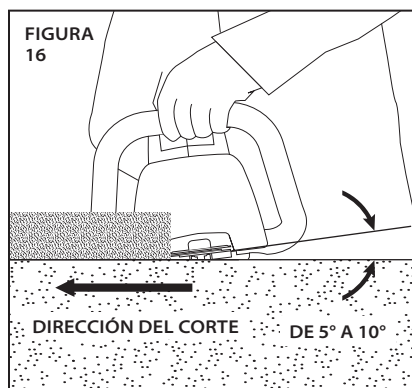
Cumpla todas las reglas y reglamentaciones nacionales y municipales aplicables para cortar setos.

CORTE BÁSICO

⚠ ADVERTENCIA: ASEGÚRESE SIEMPRE DE TENER BUEN APOYO Y SOSTENGA EL CORTASETOS CON FIRMEZA CON AMBAS MANOS MIENTRAS EL MOTOR ESTÉ EN FUNCIONAMIENTO.

Verifique el seto para detectar si hay objetos extraños antes de cortar, para evitar dañar las barras. Retire cualquier objeto que pudiera impedir cortar.

Adopte la sujeción y la postura adecuadas, y arranque el cortasetos. Sostenga el cortasetos con las hojas de corte a un ángulo de 5° a 10° hacia la dirección del corte (Figura 16).



IMPORTANTE: EN OCASIONES, LAS HOJAS DE CORTE SE ATASCAN Y DEJAN DE MOVERSE CUANDO EL MATERIAL SE TRABA EN LAS HOJAS DE CORTE, O SI LAS HOJAS DE CORTE ENTRAN EN CONTACTO CON UNA CERCA DE ALAMBRE O DE TELA METÁLICA. CONSULTE "CÓMO CORREGIR EL ATASCAMIENTO DE LAS HOJAS" PARA OBTENER INFORMACIÓN SOBRE CÓMO SOLUCIONAR ESTO.

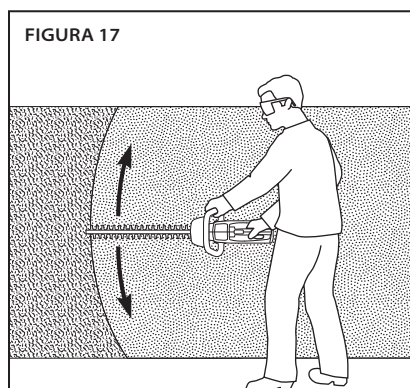
SECUENCIA DE CORTE

Si el seto está bien guiado, concéntrese en cortar nuevos brotes hasta que tenga la forma deseada.

Una vez que se retire toda rama grande, utilice el cortasetos para cortar los lados del seto hasta alcanzar la longitud deseada. Corte la parte superior del seto a lo último, después de completar los lados.

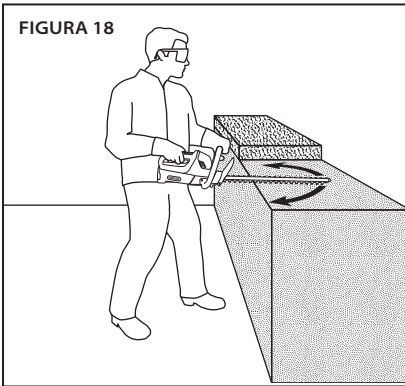
CORTE VERTICAL

Al cortar los lados del seto, comience por la parte inferior de este. Sostenga el cortasetos con las hojas de corte a un ángulo de 5° a 10° hacia la dirección del corte. Muévase hacia abajo de la línea del seto, dibujando lentamente un arco amplio hacia arriba y hacia abajo con el cortasetos (Figura 17).



CORTE HORIZONTAL

Al cortar la parte superior del seto, comience por el borde más cercano. Sostenga el cortasetos con las hojas de corte a un ángulo de 5° a 10° hacia la dirección del corte. Muévase hacia abajo de la línea del seto, dibujando lentamente un arco amplio hacia la izquierda y hacia la derecha con el cortasetos (Figura 18).



Si la parte superior del seto es demasiado amplia para cortar en una pasada del cortasetos, no se incline sobre el seto para cortar lo restante. En cambio, haga una pasada en un lado del seto y luego corte lo restante desde el otro lado del seto.

CÓMO CORREGIR EL ATASCAMIENTO DE LAS HOJAS

⚠ PRECAUCIÓN: SIEMPRE ELIMINE LA BATERÍA ANTES DE ELIMINAR MATERIAL DE LAS HOJAS DE CORTE PARA EVITAR LA ACTIVACIÓN ACCIDENTAL DE LAS HOJAS DE CORTE.

⚠ PRECAUCIÓN: LAS HOJAS DE CORTE SON AFILADAS. SIEMPRE UTILICE GUANTES CUANDO ELIMINE MATERIAL DE LAS HOJAS DE CORTE.

A veces, al cortar ramas flexibles y “verdes”, pueden trabarse recortes entre las piezas móviles de las hojas de corte y la pieza fija. Cuando esto sucede, es posible que las hojas de corte dejen de moverse repentinamente. Esto también puede suceder si las hojas de corte entran en contacto con material demasiado fuerte para cortar, como una cerca de tela metálica. Esta condición se llama atascamiento de las hojas.

Siga estas pautas para eliminar el material en forma segura y eficaz.

- Utilice guantes.
- Retire la batería del cortasetos. Consulte “Cómo retirar la batería”.
- Elimine el material que impida el movimiento de las hojas de corte.

MANTENIMIENTO Y LIMPIEZA

CORTASETOS

⚠ ADVERTENCIA: INSPECCIONA EL CORTASETOS. LA INSPECCIÓN REGULAR ES EL PRIMER PASO PARA UN MANTENIMIENTO ADECUADO. SIGA LAS PAUTAS QUE FIGURAN A CONTINUACIÓN PARA MAXIMIZAR LA SEGURIDAD Y LA SATISFACCIÓN. HAGA REEMPLAZAR DE INMEDIATO CUALQUIER PIEZA DAÑADA O EXCESIVAMENTE DESGASTADA. NO IDENTIFICAR NI REEMPLAZAR PIEZAS DAÑADAS O DESGASTADAS PUEDE PROVOCAR LESIONES PERSONALES GRAVES.

⚠ ADVERTENCIA: RETIRE LA BATERÍA DEL CORTASETOS ANTES DE INSPECCIONAR, LIMPIAR O REALIZAR MANTENIMIENTO. UNA HERRAMIENTA QUE FUNCIONA A BATERÍA CON LA BATERÍA INTRODUCIDA ESTÁ SIEMPRE ENCENDIDA Y PUEDE ARRANCAR EN FORMA ACCIDENTAL.

⚠ PRECAUCIÓN: CUANDO LIMPIE EL CORTASETOS, NO LO SUMERJA EN AGUA NI EN OTROS LÍQUIDOS.

LIMPIE EL CORTASETOS

- Limpie el polvo, las hojas y los recortes del cortasetos.
- Despeje los conductos de aire para garantizar un flujo de aire adecuado y para evitar el recalentamiento.
- Limpie el cabezal del cortasetos con un paño limpio, humedecido con agua y jabón suave.
- Nunca use limpiadores ni solventes fuertes.

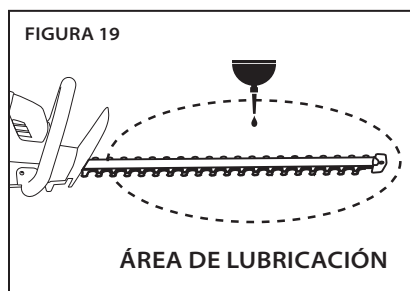
INSPECCIONE LAS HOJAS DE CORTE

Asegúrese de que las hojas de corte estén afiladas, no tengan mellas ni bordes romos, y de que no se enganchen ni traben cuando esté funcionando el cortasetos. Lime en forma periódica las mellas y las protuberancias que haya en las s para garantizar un movimiento libre. Las s afiladas y con movimiento libre cortan con más facilidad que las s sin filo o pegajosas.

CUIDADO DE LAS BARRAS

Cuando corte setos con mucha savia o en ambientes polvorientos, la acumulación de savia y suciedad puede provocar, en ocasiones, que las barras se pegoteen. A fin de evitar esta condición de goteo de las barras, limpie las barras con un ligero recubrimiento de lubricante de silicio líquido únicamente en el área de lubricación de las barras de corte (Figura 19) y ponga en funcionamiento las barras brevemente para distribuir de manera uniforme el lubricante.

IMPORTANTE: NO PERMITA QUE EL LUBRICANTE GOTEE DENTRO DEL CUERPO DEL CORTASETOS. NUNCA UTILICE SOLVENTES DE GRASA NI PRODUCTOS DE DESPLAZAMIENTO DE AGUA EN AEROSOL. NO LUBRIQUE EN FORMA EXCESIVA.



INSPECCION EL PROTECTOR DE PUNTA

Si se encuentra instalado un protector de punta, verifique que no esté torcido ni roto. Un protector de punta torcido puede impedir el movimiento libre de las s de corte. Si el protector de punta está torcido o roto, haga que lo reemplacen en un lugar de servicio técnico aprobado.

INSTALE LA FUNDA DE LA HOJA

Deslice la funda de hoja sobre las hojas de corte para mantenerlas limpias y para evitar que se enganchen, o que corten a personas u objetos.

INSPECCION LAS ASAS

Asegúrese de que las asas frontal y trasera estén limpias, secas y de que no tengan grietas ni ningún otro tipo de daño. Pueden producirse lesiones personales graves si se rompe un asa dañada durante el uso.

INSPECCION EL PUERTO DE BATERÍA

Asegúrese de que el puerto de batería esté limpio, seco y de que no tenga desechos. Los desechos en el puerto de batería pueden impedir una buena conexión eléctrica entre la batería y el cortasetos.

BATERÍA

⚠ ADVERTENCIA: DENTRO DE LA BATERÍA, NO HAY PIEZAS CUYO MANTENIMIENTO PUEDA REALIZAR EL USUARIO. NO LA DESMONTE.

Las baterías de ion-litio tienen una vida operativa predeterminada. Si la cantidad de tiempo de corte por carga se reduce en forma considerable, la batería se encuentra al final de su vida útil y debe reemplazarse.

- Asegúrese de que la batería, incluidos los contactos, estén limpios, secos y de que no tengan indicios de perforación, impacto ni otro tipo de daño. Las baterías rotas pueden provocar incendios o despidir productos químicos peligrosos.
- Limpie los contactos sucios con un paño suave y seco. La suciedad o el aceite pueden provocar una conexión eléctrica deficiente, lo que produce una pérdida de energía.

CARGADOR

- Desenchufe el cargador del tomacorriente.
- Limpie los contactos sucios con un paño suave y seco.

RESOLUCIÓN DE PROBLEMAS

Utilice esta tabla para observar las posibles soluciones para los posibles problemas con el cortasetos. Si estas sugerencias no lo ayudan a resolver el problema, consulte “Información de servicio técnico y soporte”.

SÍNTOMA	POSIBLE CAUSA	MEDIDAS RECOMENDADAS
El motor no funciona o funciona en forma intermitente.	La batería está descargada.	Recargue. Consulte “Cómo cargar la batería”.
	El bloqueo del acelerador no está presionado.	Presione el bloqueo de acelerador antes de apretar el acelerador. Consulte “Cómo arrancar el cortasetos”.
	La batería no está completamente insertada.	Presione la batería hacia el puerto de batería hasta oír un clic al trabarse en su lugar.
	Los contactos de la batería están sucios.	Retire la batería, retire los desechos del puerto de batería, y luego limpie los contactos con un paño limpio y seco.
	La batería está fría.	Deje que la batería se caliente hasta superar la temperatura operativa mínima de 32 °F (0 °C).
El motor funciona, pero las s de corte no se mueven.	Hay un objeto que impide el movimiento de la hoja de corte.	Consulte “Cómo corregir el atascamiento de las hojas”.
El cortasetos no corta en forma adecuada.	Acumulación de resina que impide el movimiento de la hojas de corte.	Consulte “Cuidado de las barras”.
	Las hojas de corte están desafiladas.	Haga afilar las hojas de corte por un profesional.
La batería no se carga.	La protección de la batería contra temperaturas altas/bajas está activada.	Esto puede producirse cuando el cortasetos funcione constantemente o se exponga a temperaturas ambiente altas. Deje que la batería alcance el rango de temperatura aceptable antes de cargarla. Consulte “Cómo cargar la batería”.
	Los contactos de la batería o del cargador están sucios o dañados.	Inspeccione los contactos de la batería y del cargador. Límpielos según lo descrito en “Mantenimiento y limpieza”, y luego reinserte la batería en el cargador, y asegúrese de que esté completamente asentada.
	La batería está llegando al final de su vida útil.	Todas las baterías tienen una vida útil limitada. Si la batería tiene más de dos años o se ha recargado con frecuencia, es posible que sea el momento de reemplazarla. Reemplácela únicamente con la batería especificada para este cortasetos.
	Hay una falla en el cargador.	Verifique el funcionamiento en un lugar de servicio técnico aprobado.

SÍNTOMA	POSIBLE CAUSA	MEDIDAS RECOMENDADAS
Se obtiene poco tiempo de corte en relación con la carga de la batería.	Las hojas de corte están desafiladas.	Haga afilar las hojas de corte por un profesional.
	Hojas de corte desgastadas.	Haga reemplazar las hojas de corte en un lugar de servicio técnico aprobado.
	Hojas de corte torcidas.	Haga reemplazar las hojas de corte en un lugar de servicio técnico aprobado.
	La técnica de corte no es la adecuada.	Siga las pautas que figuran en "Corte básico".
	Velocidad de corte más alta que la necesaria.	Aplique menos presión al acelerador.
	Acumulación de resina que impide el movimiento de la de corte.	Consulte "Cuidado de las barras".
	La batería no está completamente cargada.	Consulte "Cómo cargar la batería".
El indicador del estado de carga muestra una luz naranja intermitente.	Cortocircuito del cargador, excesiva corriente del cargador, exceso del límite de voltaje, circuito abierto en la batería o error en el tiempo de espera de carga/precarga.	<ol style="list-style-type: none"> 1. Asegúrese de que el cable del cargador esté conectado al cargador y al tomacorriente. 2. Asegúrese de que el cargador esté recibiendo el voltaje correcto. 3. Intente cargar otra batería diseñada para este cargador. <p>Si esto no corrige el problema, verifique el funcionamiento en un lugar de servicio técnico aprobado.</p>

GARANTÍA Y SERVICIO TÉCNICO

GARANTÍA

Blount, Inc. ofrece una garantía para todas las herramientas de batería, las baterías y los cargadores OREGON® durante un período de dos (2) años desde la fecha de compra original, y noventa (90) días si se utilizan para fines comerciales. Esta garantía limitada se aplica a todos los productos fabricados de conjunto de herramientas de batería de OREGON®. Durante el período de la garantía, Blount reemplazará o, a su discreción, reparará sin cargo alguno cualquier producto o pieza que Blount considere defectuosos en materiales y/o en fabricación al examinarlos, solo para el comprador original. El comprador será responsable de todos los cargos de transporte y de cualquier costo que implique retirar alguna pieza que se presente para su reemplazo en virtud de esta garantía.

INFORMACIÓN SOBRE SERVICIO TÉCNICO Y SOPORTE

Visítenos en Internet, en **OregonCordless.com**, a fin de obtener información sobre los centros de servicio técnico, o comuníquese con nuestro departamento de servicio al cliente llamando al 1.888.313.8665, a fin de obtener asistencia, asesoramiento técnico adicional, reparaciones o piezas de repuesto.

Por seguridad, utilice únicamente piezas de repuesto originales de fábrica en el cortasetos. Nuestro centro de servicio técnico cuenta con personal capacitado para proporcionar soporte y asistencia en forma eficiente para el ajuste, la reparación o el reemplazo de todos los productos de conjunto de herramientas de batería de OREGON®.

Blount International Inc.
4909 Southeast International Way
Portland, OR 97222-4679
USA



OregonCordless.com